



| VPL50-2C-PD-025/030/036 | |
|-------------------------|---|
| 1Driver Type | Constant Current Output Selectable LED Driver |
| No. of Channels | 2 |
| Input Voltage | 120-277 V |
| Input Frequency | 50-60 Hz |
| Dimming | 0-10V and 3 level Dual Relay |

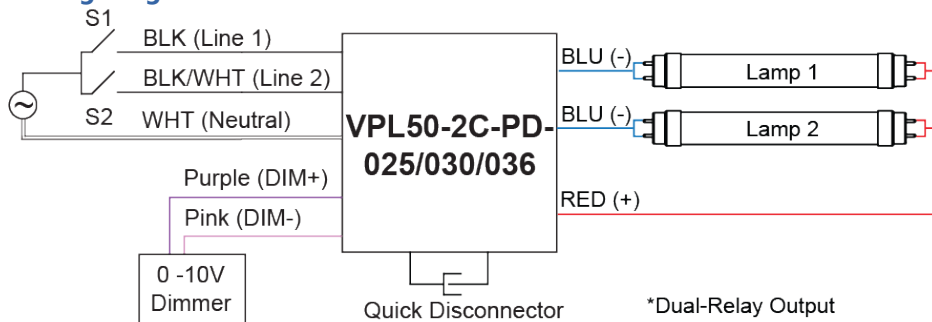
- Features**
- Universal Voltage (120-277V)
 - Multiple Output Channels
 - Constant Current
 - Per channel 250mA/300mA/360mA
 - 0-10V and 3 level Dual Relay
 - Integrates with Adaptive Lighting Control Systems
 - Compatible with LED modules and Coretech LED tubes
 - UL, cUL, UL8750 Class 2
 - FCC Part 15 Class A
 - Operating Temperature: -22°F to 122°F
 - Storage Temperature: -40°F to 131°F
 - Rated life: 50,000hours (Tcase ≤ 185°F/85°C)



CoreTech VPL
PRODUCT SPECIFICATIONS

| OUTPUT | | INPUT | |
|---|-------------------|-----------------------|------------------------|
| No. of Channels | 1 2 | Frequency | 50-60Hz |
| No. of Coretech LED Lamps | 1 2 | Input Voltage (range) | 120-277 VAC |
| Output Voltage (Range) | 20-48VDC | Power Factor (min.) | 0.9 @ full load 277VAC |
| Output Current Range (Programmable @ full load) | 250mA/300mA/360mA | THD (max.) | 20% @ full load 110AC |
| Aux Power | N/A | Efficiency (typical) | 0.86 |
| Total Rated Power | 35W | | |

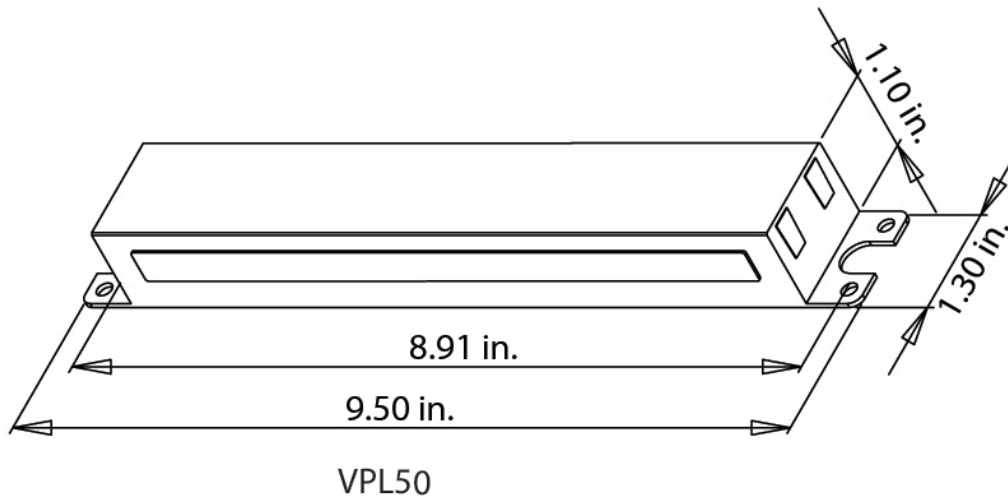
Wiring diagram



*Dual-Relay Output
Current Selection & 50% Step-dimming

| Quick Disconnect | S1 | S2 | Output Current |
|--------------------|-----|-----|----------------|
| Disconnect | ON | ON | 360mA |
| Disconnect | ON | OFF | 300mA |
| Disconnect | OFF | ON | 250mA |
| Connect | ON | ON | 360mA |
| Connect | ON | OFF | 300mA |
| Connect | OFF | ON | 150mA |
| Disconnect/Connect | OFF | OFF | 0 |

Dimension



Specification data is based on tests performed in a controlled environment and represents relative performance. Actual performance can vary depending on operating conditions. Application and performance data subject to change without notice. All specifications are nominal unless noted otherwise.

Espen Technology, Inc. | 12257 Florence Avenue | Santa Fe Springs, CA 90670 | Phone: (562) 529-2938 | Fax: (562) 529-2978
Toll Free: (866) 933-7736 | Email: info@espentech.com | www.espentech.com