



VPL100-4C-PD-025/030/036	
1Driver Type	Constant Current Output Selectable LED Driver
No. of Channels	4
Input Voltage	120-277 V
Input Frequency	50-60 Hz
Dimming	0-10V and 3 level Dual Relay

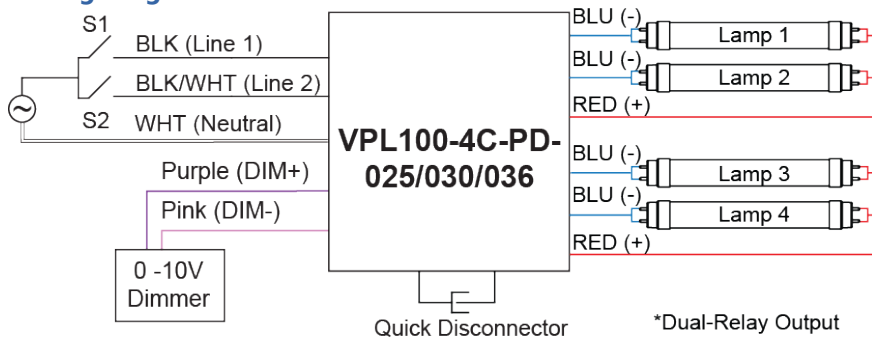
- Features**
- Universal Voltage (120-277V)
 - Multiple Output Channels
 - Constant Current
 - Per channel 250mA/300mA/360mA
 - 0-10V and 3 level Dual Relay
 - Integrates with Adaptive Lighting Control Systems
 - Compatible with LED modules and Coretech LED tubes
 - UL, cUL, UL8750 Class 2
 - FCC Part 15 Class A
 - Operating Temperature: -22°F to 122°F
 - Storage Temperature: -40°F to 131°F
 - Rated life: 50,000hours (Tcase ≤ 185°F/85°C)



CoreTech VPL
PRODUCT SPECIFICATIONS

OUTPUT		INPUT	
No. of Channels	3 4	Frequency	50-60Hz
No. of Coretech LED Lamps	3 4	Input Voltage (range)	120-277 VAC
Output Voltage (Range)	20-48VDC	Power Factor (min.)	0.9 @ full load 277VAC
Output Current Range (Programmable @ full load)	250mA/300mA/360mA	THD (max.)	20% @ full load 110AC
Aux Power	N/A	Efficiency (typical)	0.86
Total Rated Power	69W		

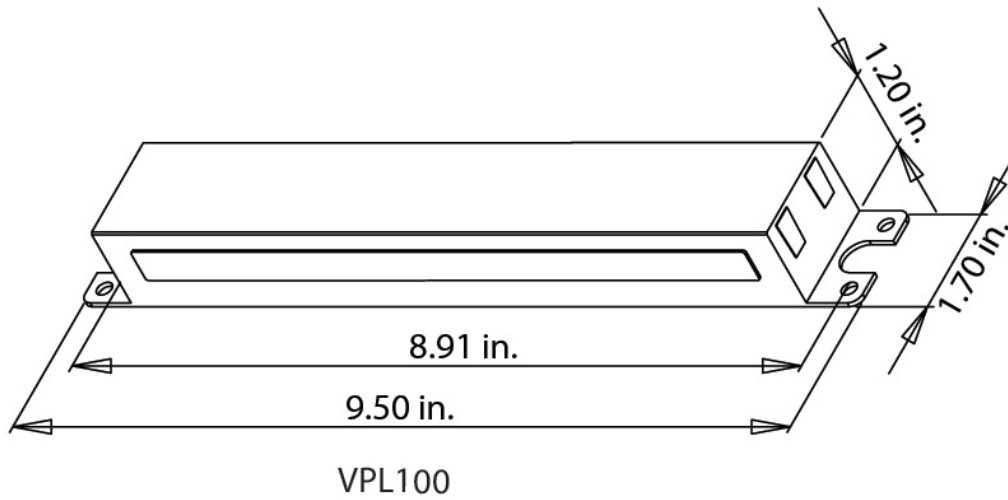
Wiring diagram



*Dual-Relay Output
Current Selection & 50% Step-dimming

Quick Disconnect	S1	S2	Output Current
Disconnect	ON	ON	360mA
Disconnect	ON	OFF	300mA
Disconnect	OFF	ON	250mA
Connect	ON	ON	360mA
Connect	ON	OFF	300mA
Connect	OFF	ON	150mA
Disconnect/Connect	OFF	OFF	0

Dimension



Specification data is based on tests performed in a controlled environment and represents relative performance. Actual performance can vary depending on operating conditions. Application and performance data subject to change without notice. All specifications are nominal unless noted otherwise.

Espen Technology, Inc. | 12257 Florence Avenue | Santa Fe Springs, CA 90670 | Phone: (562) 529-2938 | Fax: (562) 529-2978
Toll Free: (866) 933-7736 | Email: info@espentech.com | www.espentech.com