

LED EMERGENCY DRIVER

Description:

The VEML8JV-1, LED emergency driver works in conjunction with the LED driver to allow the same LED fixture to be used for both normal and emergency operations. When power fails, VEML8JV-1 switches to emergency mode and keeps the luminaire illuminated at a reduced lumen output for a minimum of 90 minutes. VEML8JV-1 is suitable for use in new LED fixtures or LED retrofit applications. Includes LED charging indicator light, single-pole test switch, battery and installation hardware.

Electrical:

- Multi voltage (120-347VAC 50/60Hz)
- Compatible with LED driver
- Maintenance-free, long-life, high temperature Lithium-ion battery
- Safety extra low output voltage: 30-60 VDC

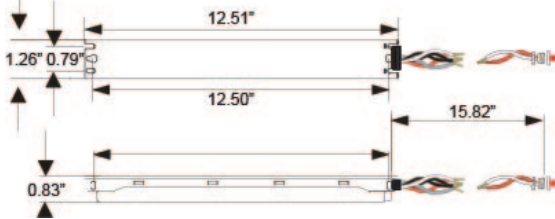
Installation:

- For use with switched or unswitched fixtures
- Does not affect normal operation
- May be installed in the wireway or on top of fixture
- Emergency driver must be fed from the same branch circuit as the LED driver
- Ambient temperature: 0°C/30°F - 50°C/120°F

Warranty:

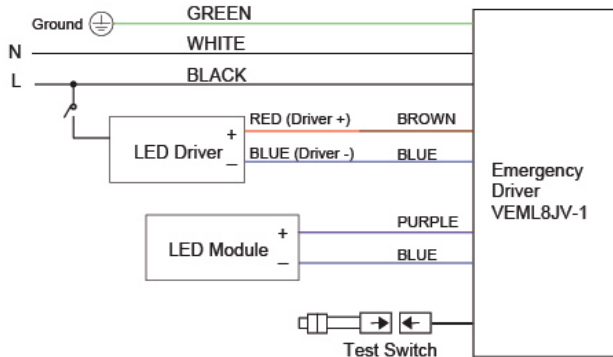
- 5 years
- UL, cUL 924 listed
- FCC Part 15 Class B
- RoHS Compliant

Case Dimensions:

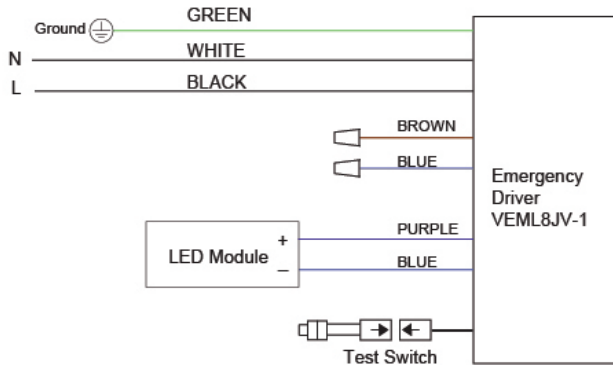


Wiring Diagram:

1. For class 2 LED driver, LED module between 30Vdc and 60Vdc and below 150W or 4A



2. For LED module between 30Vdc and 60Vdc and below 150W or 4A



Model: VEML8JV-1

Operates with Espen CoreTech type C LED lamp, VersaLinear LED module, or any other Class 2 LED lamp or module

Technical Specifications

Input Voltage

120-347VAC, 50/60Hz

Lamp Operated

2' - 4' of Espen CoreTech type C LED lamp or VersaLinear LED module
Other Class 2 LED lamp or module

Emergency Operation

90 mins

Operating Temperature

0C/30F - 50C/120F

Battery

24-48hr recharge, Lithium-ion

Approval

UL and cUL 924 Listed

User Manual

[VEML8JV-1_manual 2023.2.10.pdf](#)