

LED EMERGENCY DRIVER

Description:

The VEML25MV-1, LED emergency driver works in conjunction with the LED driver to allow the same LED fixture to be used for both normal and emergency operations. When power fails, VEML25MV-1 switches to emergency mode and keeps the luminaire illuminated at a reduced lumen output for a minimum of 90 minutes. VEML25MV-1 is suitable for use in new LED fixtures or LED retrofit applications. Includes LED charging indicator light, single-pole test switch, battery and installation hardware.

Electrical:

- Multi voltage (120-277VAC 50/60Hz)
- Compatible with LED driver
- Maintenance-free, long-life, high temperature LiFePO4 battery
- Safety extra low output voltage: 12-50VDC
- Dip switch to adjust emergency light source wattage
- 4 constant wattage options for EM mode

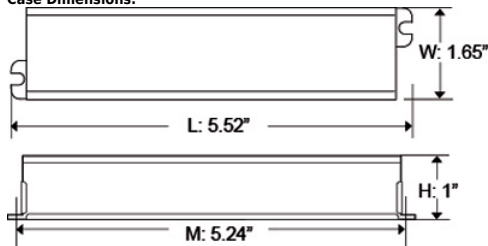
Installation:

- For use with switched or unswitched fixtures
- Does not affect normal operation
- Emergency driver must be fed from the same branch circuit as the LED driver
- Ambient temperature: 0°C/30°F - 60°C/140°F

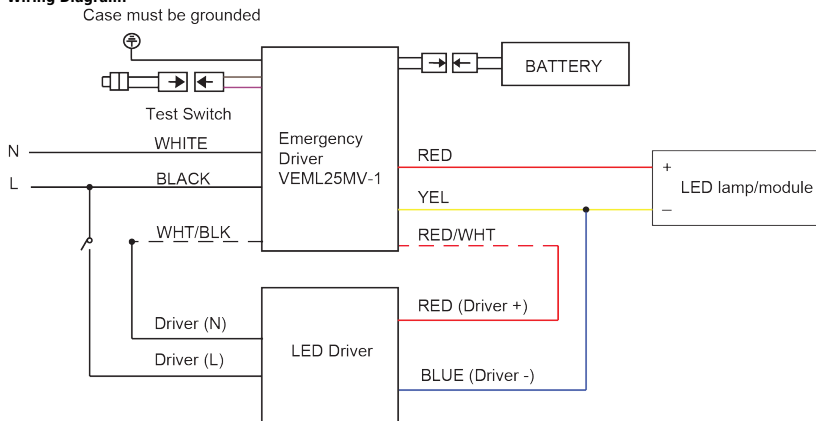
Warranty:

- 5 years
- UL, cUL 924 listed, FCC Part 15 Class B, Sound Rated A SELV, RoHS Compliant

Case Dimensions:



Wiring Diagram:



User Manual

[VEML25MV-1_spec_2020.2.27.pdf](#)



Model: VEML25MV-1

Operates with Espen CoreTech type C LED lamp, VersaLinear LED module, or any other Class 2 LED lamp or module

Technical Specifications

Input Voltage

120-277VAC, 50/60Hz

Lamp Operated

2' - 4' of Espen CoreTech type C LED lamp or VersaLinear LED module
Other Class 2 LED lamp or module

Emergency Operation

90 mins

Operating Temperature

0C/30F - 50C/120F

Battery

24-48hr recharge, LiFePO4

Approval

UL and cUL 924 Listed