

LED EMERGENCY DRIVER

Description:

The VEM-K1000, LED emergency back-up kit includes constant wattage emergency driver, battery, high efficacy LED module and LED charging indicator light. The emergency back-up kit provides emergency lighting solution in different lighting fixture/luminaire with input power source of 120-347VAC.

VEM-K1000 switches to emergency mode when power fails, the kit gives constant 1000lm with 5000K LED module for a minimum of 90 minutes.

Electrical:

- Multi voltage (120-347 VAC 50/60 Hz)
- Maintenance-free, long-life, high temperature Lithium-ion battery
- Safety extra low output voltage: 30-60 VDC
- Rated 8W for 90 minutes

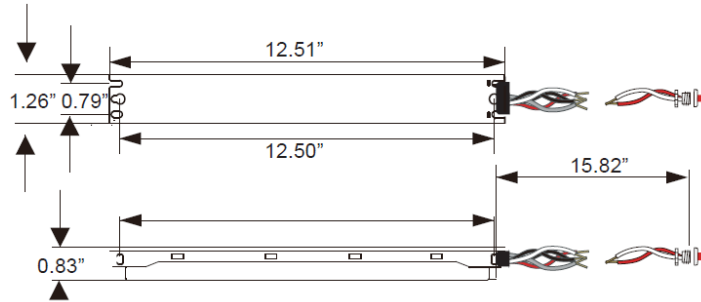
Installation:

- For use with unswitched fixtures
- Does not affect existing lighting fixture/luminaire
- Suitable for damp and dry location
- Ambient temperature: 0°C/30°F - 50°C/120°F

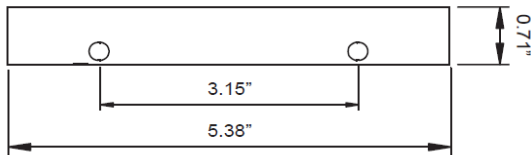
Warranty:

- 5 Years
- UL, cUL, UL924 listed
- FCC Part 15 Class A

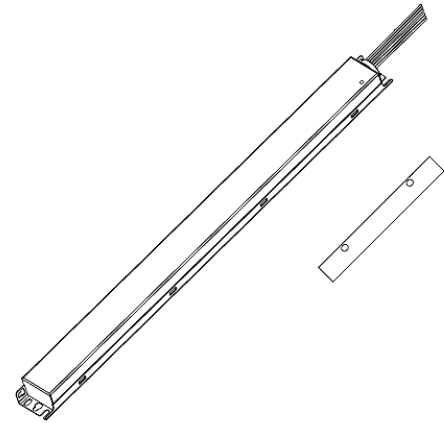
Case Dimensions:



Emergency driver



LED module



Model: VEM-K1000

The VEM-K1000, LED emergency back-up kit includes constant wattage emergency driver, battery, high efficacy LED module and LED charging indicator light.

VEM-K1000 switches to emergency mode when power fails, the kit gives constant 1000lm with 5000K LED module for a minimum of 90 minutes.

Technical Specifications

Input Voltage

120-347 VAC, 50/60Hz

Lamp Operated

VLM0605L/850 (8W, 33VDC, 5000K, CRI 80, 1000lm)

Emergency Operation

90 mins in 8W

Operating Temperature

0Â°C/30Â°F - 50Â°C/120Â°F

Battery

24 hr recharge, Lithium-ion

Approval

UL and cUL 924 Listed

User Manual

[VEM-K1000.pdf](#)