

LED Drivers

VEL50XXXMVHDA-10V-35

Constant Current Dimmable

Descriptions:

The LD series of LED drivers offer the perfect power to fixtures in any severe environment. Accurate constant current design keep the performance with high efficiency. Metal housing provides best heatsinking to guarantee the long life operation.



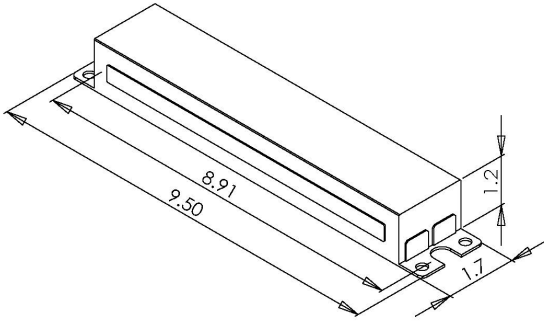
Features & Benefits:

- Universal Voltage (120-277V)
- Outdoor Type 1, IP54
- Constant Current
- 0-10V Dimming
- Integrates with Adaptive Lighting Control Systems
- Compatible with LED modules
- UL, cUL, UL8750 Class 2
- FCC Part 15 Class A
- Operating Temperature: -22°F to 122°F
- Storage Temperature: -40°F to 131°F

Specifications:

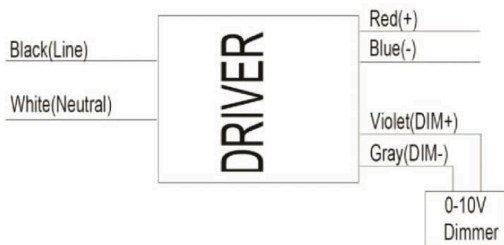
| Ordering Code | Max Output Power | Max Output Voltage | Output Current (mA) | Input Voltage | Power Factor | Min Starting Temp (C) | Dimming | System Efficacy | IP Rating |
|----------------------|------------------|--------------------|---------------------|---------------|--------------|-----------------------|---------|-----------------|-----------|
| VEL50140MVHDA-10V-35 | 50 | 12-36 | 1400 | 120-277 | >0.90 | -30 | 0-10V | 87 | IP20 |
| VEL50175MVHDA-10V-35 | 50 | 9-29 | 1750 | 120-277 | >0.90 | -30 | 0-10V | 86 | IP20 |
| VEL50210MVHDA-10V-35 | 50 | 8-24 | 2100 | 120-277 | >0.90 | -30 | 0-10V | 84 | IP20 |
| VEL50250MVHDA-10V-35 | 50 | 7-20 | 2500 | 120-277 | >0.90 | -30 | 0-10V | 82 | IP20 |
| VEL50280MVHDA-10V-35 | 50 | 6-18 | 2800 | 120-277 | >0.90 | -30 | 0-10V | 82 | IP20 |
| VEL50330MVHDA-10V-35 | 50 | 5-15 | 3300 | 120-277 | >0.90 | -30 | 0-10V | 82 | IP20 |

Dimensions:



| Ordering Code | Length (in) | Width (in) | Height (in) | Mounting (in) | Input Black Lead (in) | Input White Lead (in) | Output Red Lead (in) | Output Yellow Lead (in) |
|----------------------|-------------|------------|-------------|---------------|-----------------------|-----------------------|----------------------|-------------------------|
| VEL50140MVHDA-10V-35 | 9.5 | 1.7 | 1.2 | | 6 | 6 | 6 | 6 |
| VEL50175MVHDA-10V-35 | 9.5 | 1.7 | 1.2 | | 6 | 6 | 6 | 6 |
| VEL50210MVHDA-10V-35 | 9.5 | 1.7 | 1.2 | | 6 | 6 | 6 | 6 |
| VEL50250MVHDA-10V-35 | 9.5 | 1.7 | 1.2 | | 6 | 6 | 6 | 6 |
| VEL50280MVHDA-10V-35 | 9.5 | 1.7 | 1.2 | | 6 | 6 | 6 | 6 |
| VEL50330MVHDA-10V-35 | 9.5 | 1.7 | 1.2 | | 6 | 6 | 6 | 6 |

Wiring Diagram:



Specification data is based on tests performed in a controlled environment and represents relative performance. Actual performance can vary depending on operating conditions. Application and performance data subject to change without notice. All specifications are nominal unless noted otherwise.