

LED Drivers

VEL40XXXMVHDA-10V-35

Constant Current Dimmable

Descriptions:

The LD series of LED drivers offer the perfect power to fixtures in any severe environment. Accurate constant current design keep the performance with high efficiency. Metal housing provides best heatsinking to guarantee the long life operation.



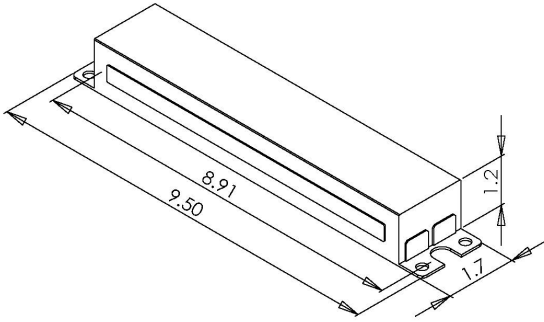
Features & Benefits:

- Universal Voltage (120-277V)
- Outdoor Type 1, IP54
- Constant Current
- 0-10V Dimming
- Integrates with Adaptive Lighting Control Systems
- Compatible with LED modules
- UL, cUL, UL8750 Class 2
- FCC Part 15 Class A
- Operating Temperature: -22°F to 122°F
- Storage Temperature: -40°F to 131°F

Specifications:

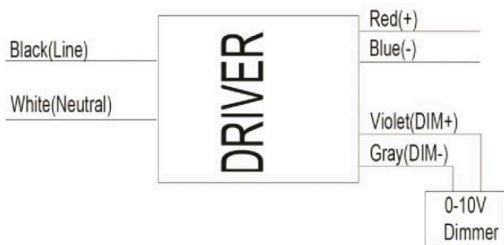
Ordering Code	Max Output Power	Max Output Voltage	Output Current (mA)	Input Voltage	Power Factor	Min Starting Temp (C)	Dimming	System Efficacy	IP Rating
VEL40110MVHDA-10V-35	40	12-36	1100	120-277	>0.90	-30	0-10V	87	IP20
VEL40130MVHDA-10V-35	39	10-30	1300	120-277	>0.90	-30	0-10V	85	IP20
VEL40167MVHDA-10V-35	40	8-24	1670	120-277	>0.90	-30	0-10V	84	IP20
VEL40220MVHDA-10V-35	40	6-18	2200	120-277	>0.90	-30	0-10V	83	IP20
VEL40268MVHDA-10V-35	40	5-15	2680	120-277	>0.90	-30	0-10V	82	IP20
VEL40308MVHDA-10V-35	40	4-13	3080	120-277	>0.90	-30	0-10V	82	IP20

Dimensions:



Ordering Code	Length (in)	Width (in)	Height (in)	Mounting (in)	Input Black Lead (in)	Input White Lead (in)	Output Red Lead (in)	Output Yellow Lead (in)
VEL40110MVHDA-10V-35	9.5	1.7	1.2		6	6	6	6
VEL40130MVHDA-10V-35	9.5	1.7	1.2		6	6	6	6
VEL40167MVHDA-10V-35	9.5	1.7	1.2		6	6	6	6
VEL40220MVHDA-10V-35	9.5	1.7	1.2		6	6	6	6
VEL40268MVHDA-10V-35	9.5	1.7	1.2		6	6	6	6
VEL40308MVHDA-10V-35	9.5	1.7	1.2		6	6	6	6

Wiring Diagram:



Specification data is based on tests performed in a controlled environment and represents relative performance. Actual performance can vary depending on operating conditions. Application and performance data subject to change without notice. All specifications are nominal unless noted otherwise.