

LPD Outdoor LED Drivers

VEL30XXX120HDA-25

Constant Current Phase Dimmable



Descriptions:

The LPD series of outdoor LED drivers offer the perfect power to fixtures in any severe environment. Accurate constant current design keep the performance with high efficiency. Metal housing provides best heatsinking to guarrantee the long life operation.

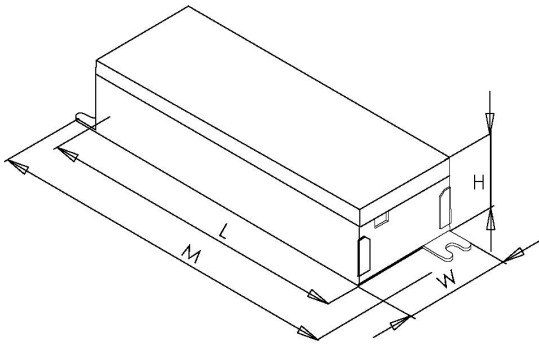
Features & Benefits:

- Dedicated 120V
- Outdoor Type 1
- Constant Current
- Triac Phase Dimming
- Integrates with Adaptive Lighting Control Systems
- Compatible with LED modules
- UL, cUL, UL8750 Class 2
- FCC Part 15 Class A
- Operating Temperature: -22°F to 122°F
- Storage Temperature: -40°F to 131°F

Specifications:

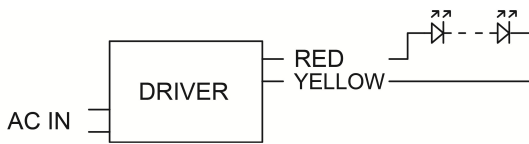
Ordering Code	Max Output Power	Max Output Voltage	Output Current (mA)	Input Voltage	Power Factor	Min Starting Temp (C)	Dimming	System Efficacy	IP Rating
VEL30070120HDA-25	25	27-36	700	120	>0.90	-30	Phase	84	IP20
VEL30105120HDA-25	29.4	16-28	1050	120	>0.90	-30	Phase	84	IP20
VEL30140120HDA-25	29.4	13-21	1400	120	>0.90	-30	Phase	82.5	IP20
VEL30170120HDA-25	28.9	9-17	1700	120	>0.90	-30	Phase	81	IP20

Dimensions:



Ordering Code	Length (in)	Width (in)	Height (in)	Mounting (in)	Input Black Lead (in)	Input White Lead (in)	Output Red Lead (in)	Output Yellow Lead (in)
VEL30070120HDA-25	5.2	1.7	1.2		6	6	6	6
VEL30105120HDA-25	5.2	1.7	1.2		6	6	6	6
VEL30140120HDA-25	5.2	1.7	1.2		6	6	6	6
VEL30170120HDA-25	5.2	1.7	1.2		6	6	6	6

Wiring Diagram:



Specification data is based on tests performed in a controlled environment and represents relative performance. Actual performance can vary depending on operating conditions. Application and performance data subject to change without notice. All specifications are nominal unless noted otherwise.