

# LMV Series LED Drivers VEL19XXMVH-1

## Constant Current



### Descriptions:

The LMV series of LED drivers offer the perfect power to fixtures in any severe environment. Accurate constant current design keep the performance with high efficiency. Metal housing provides best heatsinking to guarantee the long life operation.

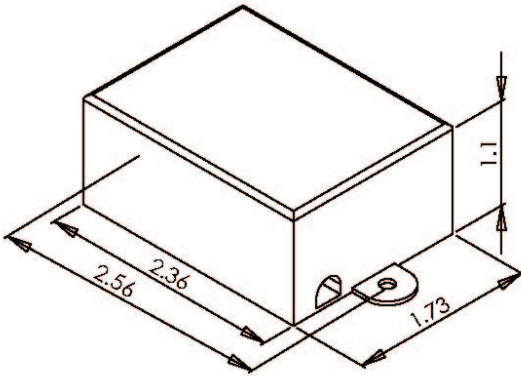
### Features & Benefits:

- Universal Voltage (120-277V)
- Outdoor Type 1
- Constant Current
- 0-10V Dimming
- Integrates with Adaptive Lighting Control Systems
- Compatible with LED modules
- UL, cUL, UL8750 Class 2
- FCC Part 15 Class A
- Operating Temperature: -22°F to 122°F
- Storage Temperature: -40°F to 131°F

### Specifications:

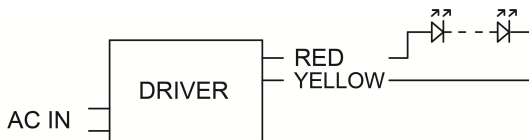
Ordering Code	Max Output Power	Max Output Voltage	Output Current (mA)	Input Voltage	Power Factor	Min Starting Temp (C)	Dimming	System Efficacy	IP Rating
VEL19035MVH-1	11.55	18-33	350	120-277	>0.90	-30	None	85	IP20
VEL19050MVH-1	16.5	18-33	500	120-277	>0.90	-30	None	85	IP20
VEL19070MVH-1	19	15-27	700	120-277	>0.90	-30	None	85	IP20
VEL19105MVH-1	19	10-18	1050	120-277	>0.90	-30	None	85	IP20

**Dimensions:**



Ordering Code	Length (in)	Width (in)	Height (in)	Mounting (in)	Input Black Lead (in)	Input White Lead (in)	Output Red Lead (in)	Output Yellow Lead (in)
VEL19035MVH-1	2.36	1.73	1.1		6	6	6	6
VEL19050MVH-1	2.36	1.73	1.1		6	6	6	6
VEL19070MVH-1	2.36	1.73	1.1		6	6	6	6
VEL19105MVH-1	2.36	1.73	1.1		6	6	6	6

**Wiring Diagram:**



Specification data is based on tests performed in a controlled environment and represents relative performance. Actual performance can vary depending on operating conditions. Application and performance data subject to change without notice. All specifications are nominal unless noted otherwise.