

# LPD Outdoor LED Drivers

## VEL19XXX120HDA-5

### Constant Current Phase Dimmable



### Descriptions:

The LPD series of outdoor LED drivers offer the perfect power to fixtures in any severe environment. Accurate constant current design keep the performance with high efficiency. Metal housing provides best heatsinking to guarrantee the long life operation.

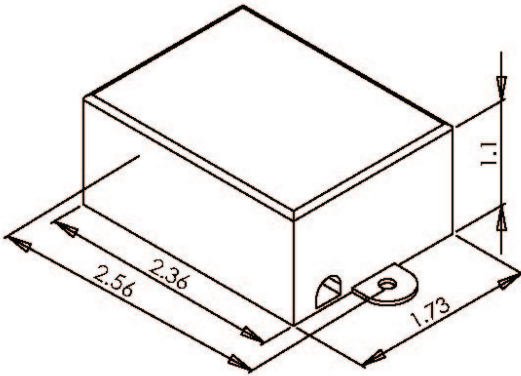
### Features & Benefits:

- Dedicated 120V
- Outdoor Type 1
- Constant Current
- Triac Phase Dimming
- Integrates with Adaptive Lighting Control Systems
- Compatible with LED modules
- UL, cUL, UL8750 Class 2
- FCC Part 15 Class A
- Operating Temperature: -22°F to 122°F
- Storage Temperature: -40°F to 131°F

### Specifications:

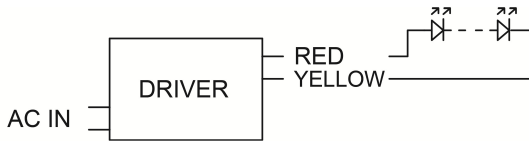
Ordering Code	Max Output Power	Max Output Voltage	Output Current (mA)	Input Voltage	Power Factor	Min Starting Temp (C)	Dimming	System Efficacy	IP Rating
VEL19050120HDA-5	19	33-38	500	120	>0.90	-30	Phase	83	IP20
VEL19070120HDA-5	19.6	22-28	700	120	>0.90	-30	Phase	82	IP20
VEL19105120HDA-5	18.9	15-18	1050	120	>0.90	-30	Phase	80	IP20

**Dimensions:**



Ordering Code	Length (in)	Width (in)	Height (in)	Mounting (in)	Input Black Lead (in)	Input White Lead (in)	Output Red Lead (in)	Output Yellow Lead (in)
VEL19050120HDA-5	2.36	1.73	1.1		6	6	6	6
VEL19070120HDA-5	2.36	1.73	1.1		6	6	6	6
VEL19105120HDA-5	2.36	1.73	1.1		6	6	6	6

**Wiring Diagram:**



Specification data is based on tests performed in a controlled environment and represents relative performance. Actual performance can vary depending on operating conditions. Application and performance data subject to change without notice. All specifications are nominal unless noted otherwise.