

LED Drivers

VEL19XXX120H-29

Constant Current

Descriptions:

The LE series of outdoor LED drivers offer the perfect power to fixtures in any severe environment. Accurate constant current design keep the performance with high efficiency. Metal housing provides best heatsinking to guarrantee the long life operation.



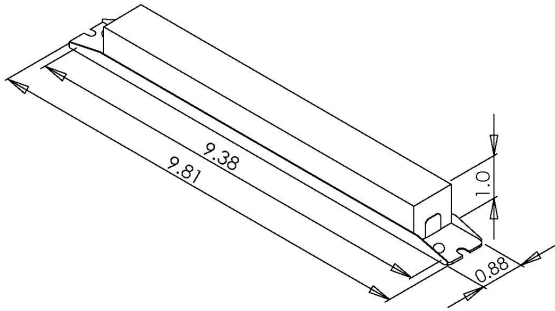
Features & Benefits:

- Dedicated voltage 120V
- Outdoor Type 1
- Constant Current
- Integrates with Adaptive Lighting Control Systems
- Compatible with LED modules
- UL, cUL, UL8750 Class 2
- FCC Part 15 Class A
- Operating Temperature: -22°F to 122°F
- Storage Temperature: -40°F to 131°F

Specifications:

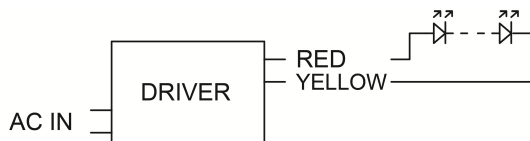
Ordering Code	Max Output Power	Max Output Voltage	Output Current (mA)	Input Voltage	Power Factor	Min Starting Temp (C)	Dimming	IP Rating
VEL19035120H-29	11.55	18-33	350	120	>0.90	-30	None	IP20
VEL19050120H-29	16.5	18-33	500	120	>0.90	-30	None	IP20
VEL19070120H-29	19	15-27	700	120	>0.90	-30	None	IP20
VEL19105120H-29	19	10-18	1050	120	>0.90	-30	None	IP20

Dimensions:



Ordering Code	Length (in)	Width (in)	Height (in)	Mounting (in)	Input Black Lead (in)	Input White Lead (in)	Output Red Lead (in)	Output Yellow Lead (in)
VEL19035120H-29	9.81	0.88	1		6	6	6	6
VEL19050120H-29	9.81	0.88	1		6	6	6	6
VEL19070120H-29	9.81	0.88	1		6	6	6	6
VEL19105120H-29	9.81	0.88	1		6	6	6	6

Wiring Diagram:



Specification data is based on tests performed in a controlled environment and represents relative performance. Actual performance can vary depending on operating conditions. Application and performance data subject to change without notice. All specifications are nominal unless noted otherwise.