

LPD Outdoor LED Drivers

VEL12XXX120HDA-2

Constant Current Phase Dimmable



Descriptions:

The LPD series of outdoor LED drivers offer the perfect power to fixtures in any severe environment. Accurate constant current design keep the performance with high efficiency. Metal housing provides best heatsinking to guarrantee the long life operation.

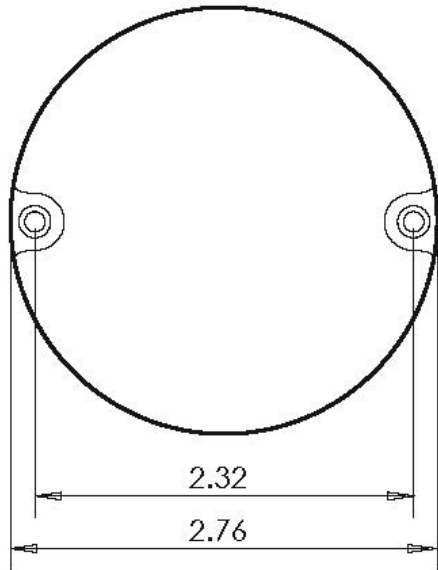
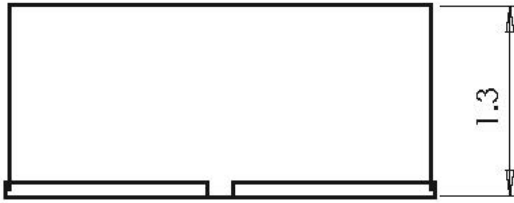
Features & Benefits:

- Dedicated 120V
- Outdoor Type 1
- Constant Current
- Triac Phase Dimming
- Integrates with Adaptive Lighting Control Systems
- Compatible with LED modules
- UL, cUL, UL8750 Class 2
- FCC Part 15 Class A
- Operating Temperature: -22°F to 122°F
- Storage Temperature: -40°F to 131°F

Specifications:

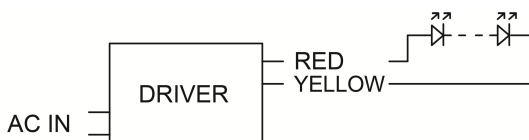
Ordering Code	Max Output Power	Max Output Voltage	Output Current (mA)	Input Voltage	Power Factor	Min Starting Temp (C)	Dimming	System Efficacy	IP Rating
VEL12020120HDA-2	7.6	33-38	200	120	>0.90	-30	Phase	83	IP20
VEL12035120HDA-2	11.9	27-34	350	120	>0.90	-30	Phase	83	IP20
VEL12050120HDA-2	14	22-28	500	120	>0.90	-30	Phase	83	IP20
VEL12070120HDA-2	11.9	12-17	700	120	>0.90	-30	Phase	80.5	IP20
VEL12105120HDA-2	12.6	10-12	1050	120	>0.90	-30	Phase	80	IP20

Dimensions:



Ordering Code	Length (in)	Width (in)	Height (in)	Mounting (in)	Input Black Lead (in)	Input White Lead (in)	Output Red Lead (in)	Output Yellow Lead (in)
VEL12020120HDA-2			1.3		6	6	6	6
VEL12035120HDA-2			1.3		6	6	6	6
VEL12050120HDA-2			1.3		6	6	6	6
VEL12070120HDA-2			1.3		6	6	6	6
VEL12105120HDA-2			1.3		6	6	6	6

Wiring Diagram:



Specification data is based on tests performed in a controlled environment and represents relative performance. Actual performance can vary depending on



operating conditions. Application and performance data subject to change without notice. All specifications are nominal unless noted otherwise.

