

VersaKit Troffer Retrofit Kit

VEKT2X4/8XX/23

Commercial Grade LED Retrofit Kit



Descriptions:

This advanced troffer retrofit kit easily converts fluorescent troffers to the most current LED technology. Its ultra high efficiency reduces energy costs. It is one of the LED troffer retrofits that comes completely assembled as a lensed kit, requiring only one minute to install, reducing labor costs. The retrofit kit is also 0-10V Dimmable with 5 Year Warranty. Ideal applications include: office, retail, healthcare, education and hospitality interiors.

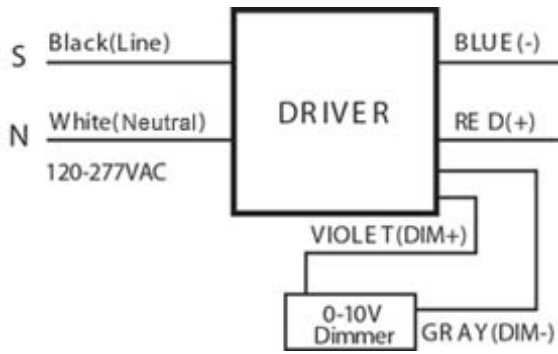
Features & Benefits:

- Performance
The VEK series uses the latest LED technology and LED driver to ensure steady performance and long lifetime.
- Installation
The Troffer Retrofit Kit provides the ideal way to replace existing recessed troffer, utilizing the existing fixture housing. The kit provides all the components needed to perform the change out quickly and efficiently, allowing for system upgrades without disturbing the ceiling. The LED troffer retrofit is completely assembled within the frame. With special 2-in-1 design, the kit fits for both air return troffers and standard troffers.

Specifications:

Ordering Code	Type	System Wattage	System Lumens	CCT (K)	System Efficacy	CRI	Input Voltage	Dimming	THD	Power Factor
VEKT2X4/835/23	2X4	23	2990	3500	130	>80	120-277	0-10V	<20%	0.9
VEKT2X4/840/23	2X4	23	2990	4000	130	>80	120-277	0-10V	<20%	0.9
VEKT2X4/850/23	2X4	23	2990	5000	130	>80	120-277	0-10V	<20%	0.9

Wiring Diagram:



DLC Listing:

Ordering Code	DLC Product ID	DLC Product Model	DLC Version
VEKT2X4/835/23	PLQPR4MBL5J4	VEKT2X4/835/23	5
VEKT2X4/840/23	PL4X85L8Q03X	VEKT2X4/840/23	5
VEKT2X4/850/23	PLALD46VT7AD	VEKT2X4/850/23	5

Specification data is based on tests performed in a controlled environment and represents relative performance. Actual performance can vary depending on operating conditions. Application and performance data subject to change without notice. All specifications are nominal unless noted otherwise.