

# TAA Fluorescent Ballasts For T5 & T5HO Lamps

## Electronic Ballasts



Electronic Ballasts

### Product Info

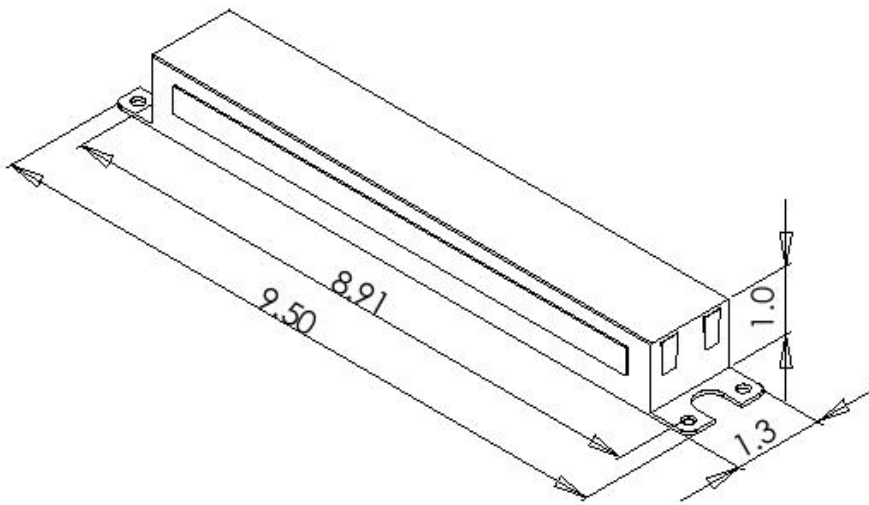
#### VE254MVHRP TAA

Family	Elite
Ballast Type	Electronic
Lamp Operation	Serial
Input Voltage	120/277V
Starting Method	Program Start

### Product Specification

Lamp Type	No. of Lamps	Input Voltage (V)	Input Current (A)	Input Power (W)	Power Factor	MAX THD (%)	Ballast Factor	Min. Starting Temp.(F/C)	Lamp Current Crest Factor	B.E.F.
F54T5HO 54W	2	120/277	1.0/0.43	120	0.98	10	1	-20	1.7	
F54T5HO 54W	1	120/277	0.50/0.23	62	0.98	10	1.03	-20	1.7	

### Physical Parameters



Enclosure	(in)	Lead Length	in.(+/-1.0)
Length	9.5	Black	
Width	1.3	White	
Height	1	Red	
Mounting	8.91	Blue	
		Yellow	

### Wiring Diagram

