

VersaKit Strip Retrofit Kit RXS8-432-USP-WH

Commercial Grade LED Retrofit Kit



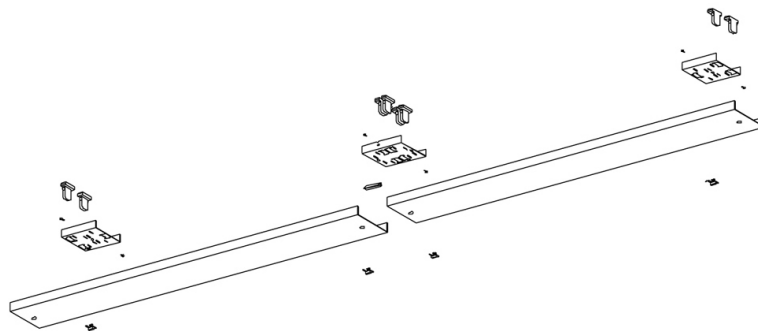
Descriptions:

The RXS series is an outstanding solution for industrial and commercial applications. The RXS optic has been optimized to provide maximum performance from either T5 or T8 lamps and its high efficiency package allows the benefits of third generation T8 systems to be applied in warehouses that use 8' T12 fixtures. The primary benefits including exceptional color rendering, high system efficacy, 95% lumen maintenance, long lamp life, convenient lamp replacement, and reduced maintenance costs.

Features & Benefits:

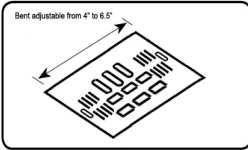
- **LAMP**
The RXS series uses the latest T8 technology with higher lumens and lumen maintenance, higher CRI, and greater energy efficiency than the T12 systems that they are replacing. 4-foot T8 lamps are more convenient for storage and transportation. These lamps have longer life and a slimmer profile, which translates into reduced initial, maintenance and disposal costs.
- **ENERGY SAVING**
Upgrading current T12 systems to energy-efficient fixtures using this retrofit kit typically reduces energy costs by 40%- 50% while maintaining existing light levels. Refer to retrofit guide on the next page to see different options. When paired with qualifying lamps and ballasts, retrofit could qualify for rebate opportunities.
- **REFLECTOR**
White: Enhanced white reflector cover offers high reflectance coating for an economic and energy efficient solution to increase light output. (91% reflectivity)

Construction:

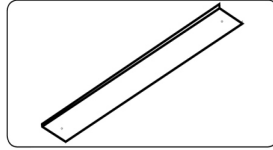


Components:

Universal Socket Plate



Reflector



Each kit including: (*Kits are sold in a 10 pack*)

(3) Universal Socket Plates

(8) Shunted Sockets

(8) Tek Screws

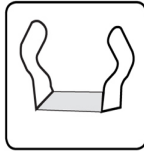
(4) Quarter Turn Fastener

(2) Reflectors (White)

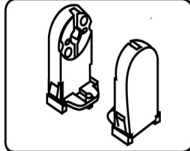
Tek Screw



1/4 Turn Fastener



Sockets



INSTALLATION

The RXS Retrofit Kit provides the ideal way to replace existing 8' fluorescent industrial and standard strip fixtures with simple hand tools while utilizing the existing fixture housing. The kit provides all the components needed to perform the changeout quickly and efficiently, allowing for system upgrades without disturbing the ceiling. It requires simple installation of ends and center socket plates with tek screws and quarter turn latches to secure the ballast cover or reflector. The universal socket bracket fits most standard fluorescent channels 4" to 5 1/2" in width.

Specification data is based on tests performed in a controlled environment and represents relative performance. Actual performance can vary depending on operating conditions. Application and performance data subject to change without notice. All specifications are nominal unless noted otherwise.