

# Single End Flex Lamp

## Commercial Grade LED T8 Lamp



### Features & Benefits

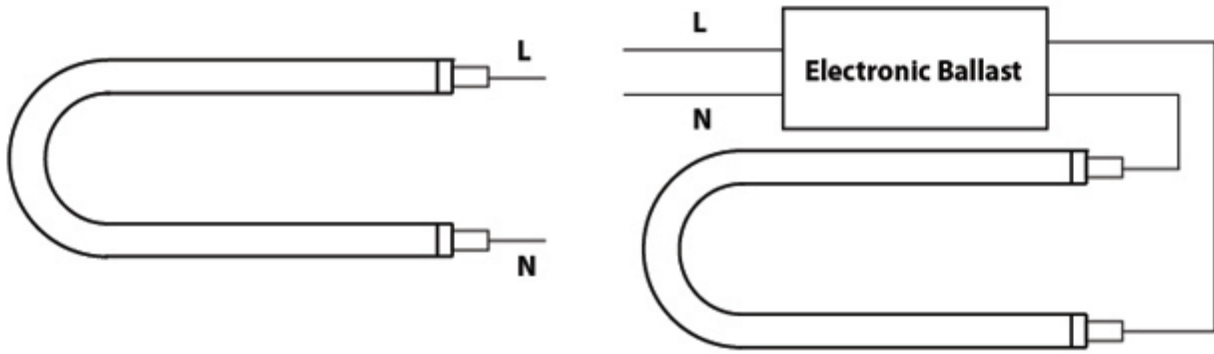
- High performance plastic series
- Long life
- High CRI
- Instant on, no delay or warm up time
- Convenient and quick installation
- Works in cold temperature applications
- Compatible with controls and sensors
- Glass tube for superior optical performance
- 5 Year Warranty

\* EMERGENCY BALLAST RESTRICTIONS

### Specification

Order Code	Length	Input Voltage	Power Direct AC	Power w/ Ballast	CCT	Lumen	CRI	Beam Angle	Lamp Efficacy Direct AC	System Efficacy w/ Ballast	Life
LB31T8U/830/13P-AB BAA/TAA	24	120-277V	13	16	3000K	1800	83	240	138	112	50000
LB31T8U/835/13P-AB BAA/TAA	24	120-277V	13	16	3500K	1800	83	240	138	112	50000
LB31T8U/840/13P-AB BAA/TAA	24	120-277V	13	16	4000K	1900	83	240	146	118	50000
LB31T8U/850/13P-AB BAA/TAA	24	120-277V	13	16	5000K	2000	83	240	153	125	50000

### Wiring Diagram



### Dlc Information

Order Code	DLC Product ID	DLC Product Model	DLC Version
LB31T8U/830/13P-AB BAA/TAA	N/A	N/A	N/A
LB31T8U/835/13P-AB BAA/TAA	N/A	N/A	N/A
LB31T8U/840/13P-AB BAA/TAA	PLWMGE5E6TC0	LB31T8U/840/13P-AB	5
LB31T8U/850/13P-AB BAA/TAA	PLIRLCNDPC5X	LB31T8U/850/13P-AB	5