

# RetroFlex (Type A)

## Commercial Grade LED T8 Lamp



**RetroFlex™**  
LED T8 LAMP • Simplicity.

**Features & Benefits**

- Assembled in USA
- Shatterproof Nano Plastic Tube
- NSF2 Rated
- No rewiring needed
- Works with fluorescent electronic ballast (Instant Start, Programmed Start, and Dimming)\*
- Long life
- High CRI
- Instant on, no delay
- Convenient and quick installation
- Utilizes existing instant start or rapid start sockets
- Compatible with controls and sensors
- Dimmable
- Works in cold temperature applications
- Super wide view angle
- 5 Year Warranty
- High performance plastic series



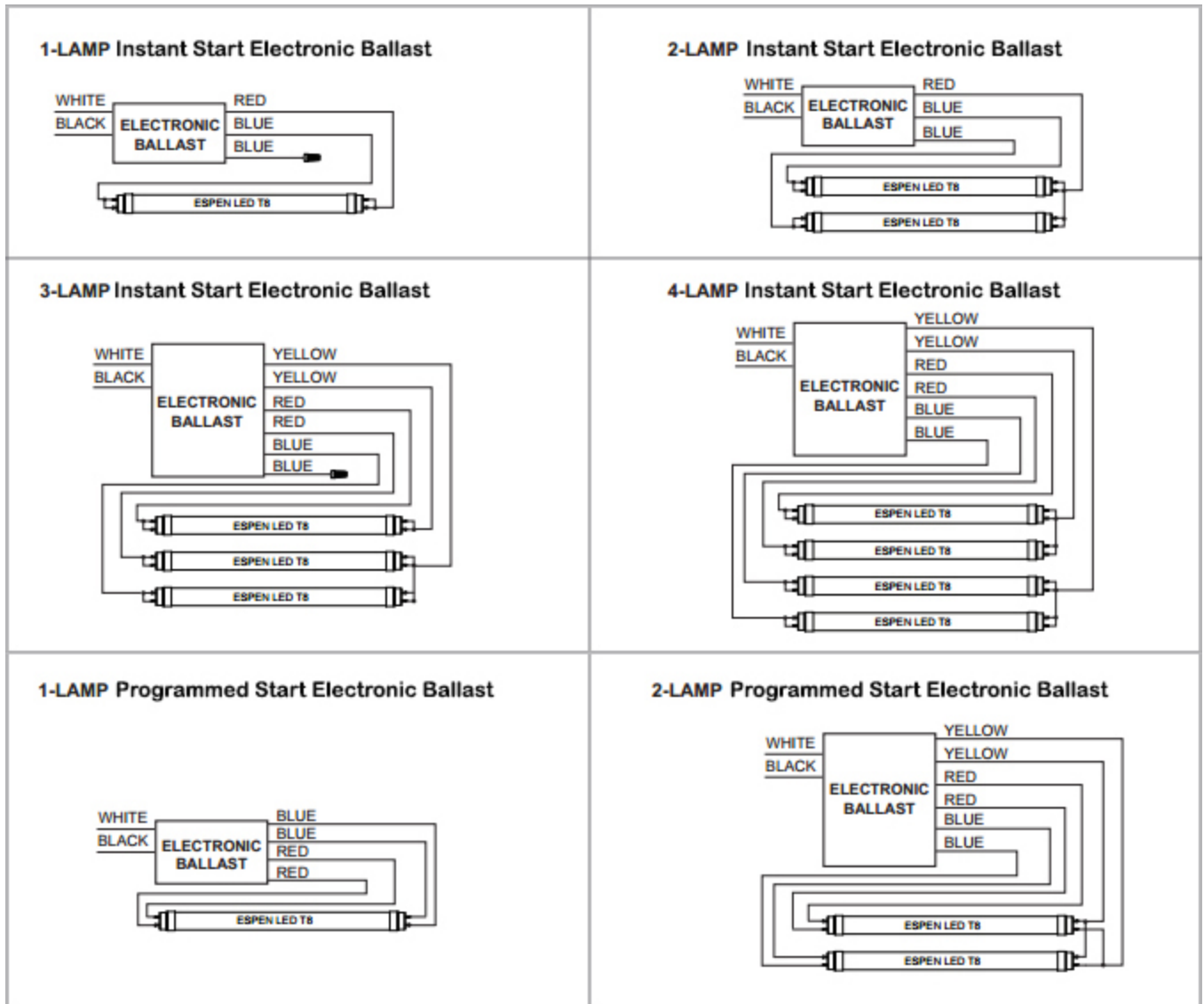
### Specification

Order Code	Length	Lamp Wattage	System Wattage	CCT	Initial Lumens	CRI	Beam Angle	Lamp Efficacy	System Efficacy	Life
L48T8/835/14P-EB BAA/TAA	48	14	17	3500K	2150	83	325	153	126	50,000
L48T8/840/14P-EB BAA/TAA	48	14	17	4000K	2150	83	325	153	126	50,000
L48T8/850/14P-EB BAA/TAA	48	14	17	5000K	2150	83	325	153	126	50,000

### System Performance

Lamp Model	Low Ballast Factor				High Ballast Factor			
	Lamp Power	System Power	Lumen Output	Lamp Efficacy	Lamp Power	System Power	Lumen Output	Lamp Efficacy
L48T8/835/14P-EB BAA/TAA	11.5	14	1750	152	20	23	2800	140
L48T8/840/14P-EB BAA/TAA	11.5	14	1750	152	20	23	2800	140
L48T8/850/14P-EB BAA/TAA	11.5	14	1750	152	20	23	2800	140

### Wiring Diagram



Dlc Information

Order Code	DLC Product ID	DLC Product Model	DLC Version
L48T8/835/14P-EB BAA/TAA	PDAZ4632	L48T8/835/14P-EB	5
L48T8/840/14P-EB BAA/TAA	PWCRJNGY	L48T8/840/14P-EB	5
L48T8/850/14P-EB BAA/TAA	PPPUY3V6	L48T8/850/14P-EB	5

\* Please refer to "Ballast Compatibility List" for compatible battery backup and/or emergency ballasts.

\* Please refer to "Ballast Compatibility List" on Related Downloads.

Specification data is based on tests performed in a controlled environment and represents relative performance. Actual performance can vary depending on operating conditions. Application and performance data subject to change without notice. All specifications are nominal unless noted otherwise.