

Linear T8

L48T8/8XX/14G-EB

Commercial Grade LED T8 Lamp



Descriptions:

The RetroFlex (Type A) LED lamps provide hassle-free installation with simple lamp-for-lamp replacements for your linear fluorescent T8 or T12 retrofit needs. Fully certified to replace original fluorescent lamps, these lamps provide the perfect, hassle-free solution for whatever the project requires. When being used with an instant start, programmed start, or emergency backup ballast, no fixture re-wiring is needed.



Features & Benefits:

- No rewiring needed
- Works with fluorescent electronic ballast (Instant Start, Programmed Start, and Dimming) *
- Long life
- High CRI
- Instant on, no delay
- Convenient and quick installation
- Utilizes existing instant start or rapid start sockets
- Compatible with controls and sensors
- Dimmable
- Works in cold temperature applications
- Glass tube for superior optical performance
- 5 Year Warranty

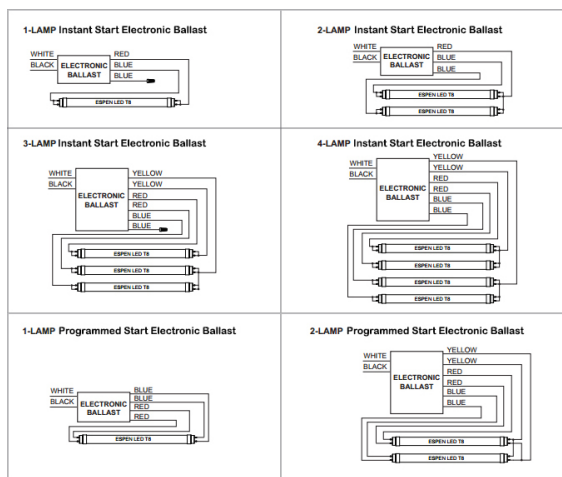
Specifications:

Ordering Code	Length (in)	Lamp Wattage	System Wattage	CCT (K)	Initial Lumens	CRI	Beam Angle	Lamp Efficacy	System Efficacy	Life (hr)
L48T8/830/14G-EB	48	14	16	3000K	2100	80+	325	150	131	50000
L48T8/835/14G-EB	48	14	16	3500K	2100	80+	325	150	131	50000
L48T8/840/14G-EB	48	14	16	4000K	2100	80+	325	150	131	50000
L48T8/850/14G-EB	48	14	16	5000K	2100	80+	325	150	131	50000

System Performance:

Lamp Model	Low Ballast Factor				High Ballast Factor			
	Lamp Power	System Power	Lumen Output	Lamp Efficiency	Lamp Power	System Power	Lumen Output	Lamp Efficiency
L48T8/830/14G-EB	11.5	14	1750	152	20	23	2800	140
L48T8/835/14G-EB	11.5	14	1750	152	20	23	2800	140
L48T8/840/14G-EB	11.5	14	1750	152	20	23	2800	140
L48T8/850/14G-EB	11.5	14	1750	152	20	23	2800	140

Wiring Diagram:



DLC Listing:

Ordering Code	DLC Product ID	DLC Product Model	DLC Version
L48T8/830/14G-EB	P4YHTK3V	L48T8/830/14G-EB (-aa)	5.1
L48T8/835/14G-EB	P2K7FYDA	L48T8/835/14G-EB (-aa)	5.1
L48T8/840/14G-EB	P2FDVI53	L48T8/840/14G-EB (-aa)	5.1
L48T8/850/14G-EB	PKBW0JV1	L48T8/850/14G-EB (-aa)	5.1

- Please refer to "Ballast Compatibility List" for compatible battery backup and/or emergency ballasts.
- Please refer to "Ballast Compatibility List" on Related Downloads.

Specification data is based on tests performed in a controlled environment and represents relative performance. Actual performance can vary depending on operating conditions. Application and performance data subject to change without notice. All specifications are nominal unless noted otherwise.