

Nano Plastic Linear T8 L48T8/8XX/12P-EB

Commercial Grade LED T8 Lamp



Descriptions:

The RetroFlex (Type A) LED lamps provide hassle-free installation with simple lamp-for-lamp replacements for your linear fluorescent T8 or T12 retrofit needs. NSF 2 rated nano plastic body prevents any breakage. Fully certified to replace original fluorescent lamps, these lamps provide the perfect, hassle-free solution for whatever the project requires. When being used with an instant start, programmed start, or emergency backup ballast, no fixture re-wiring is needed.



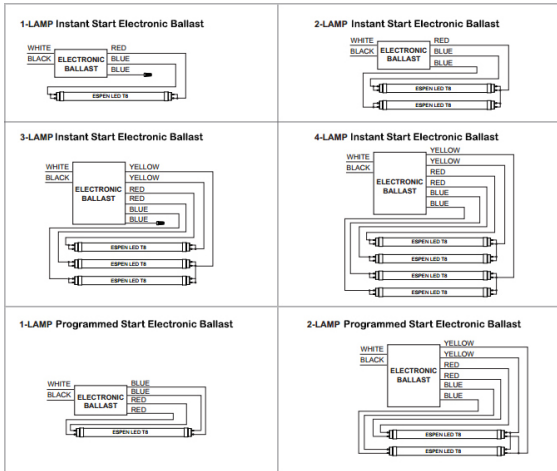
Features & Benefits:

- Shatterproof Nano Plastic Tube
- NSF2 Rated
- No rewiring needed
- Works with fluorescent electronic ballast (Instant Start, Programmed Start, and Dimming)*
- Long life
- High CRI
- Instant on, no delay
- Convenient and quick installation
- Utilizes existing instant start or rapid start sockets
- Compatible with controls and sensors
- Dimmable
- Works in cold temperature applications
- Suitable for damp locations
- Nano-Plastic tube for superior optical performance
- 5 Year Warranty

Specifications:

Ordering Code	Length (in)	Lamp Wattage	System Wattage	CCT (K)	Initial Lumens	CRI	Beam Angle	Lamp Efficacy	System Efficacy	Life (hr)
L48T8/830/12P-EB	48	12	14.5	3000K	1800	83	325	150	124	50000
L48T8/835/12P-EB	48	12	14.5	3500K	1800	83	325	150	124	50000
L48T8/840/12P-EB	48	12	14.5	4000K	1800	83	325	150	124	50000
L48T8/850/12P-EB	48	12	14.5	5000K	1800	83	325	150	124	50000

Wiring Diagram:



DLC Listing:

Ordering Code	DLC Product ID	DLC Product Model	DLC Version
L48T8/830/12P-EB	PACASTWU	L48T8/830/12P-EB	5
L48T8/835/12P-EB	P2KSU3AM	L48T8/835/12P-EB	5
L48T8/840/12P-EB	P8YY2WD5	L48T8/840/12P-EB	5
L48T8/850/12P-EB	PETR5AMS	L48T8/850/12P-EB	5

- Please refer to "Ballast Compatibility List" for compatible battery backup and/or emergency ballasts.
- Please refer to "Ballast Compatibility List" on Related Downloads.

Specification data is based on tests performed in a controlled environment and represents relative performance. Actual performance can vary depending on operating conditions. Application and performance data subject to change without notice. All specifications are nominal unless noted otherwise.