

RetroFlex (Type A)

Commercial Grade LED T8 Lamp



RetroFlex™
LED T8 LAMP • Simplicity.

Features & Benefits

- Assembled in USA
- Shatterproof Nano Plastic Tube
- NSF2 Rated
- No rewiring needed
- Works with fluorescent electronic ballast (Instant Start, Programmed Start, and Dimming)*
- Long life
- High CRI
- Instant on, no delay
- Convenient and quick installation
- Utilizes existing instant start or rapid start sockets
- Compatible with controls and sensors
- Dimmable
- Works in cold temperature applications
- Super wide view angle
- 5 Year Warranty
- High performance plastic series



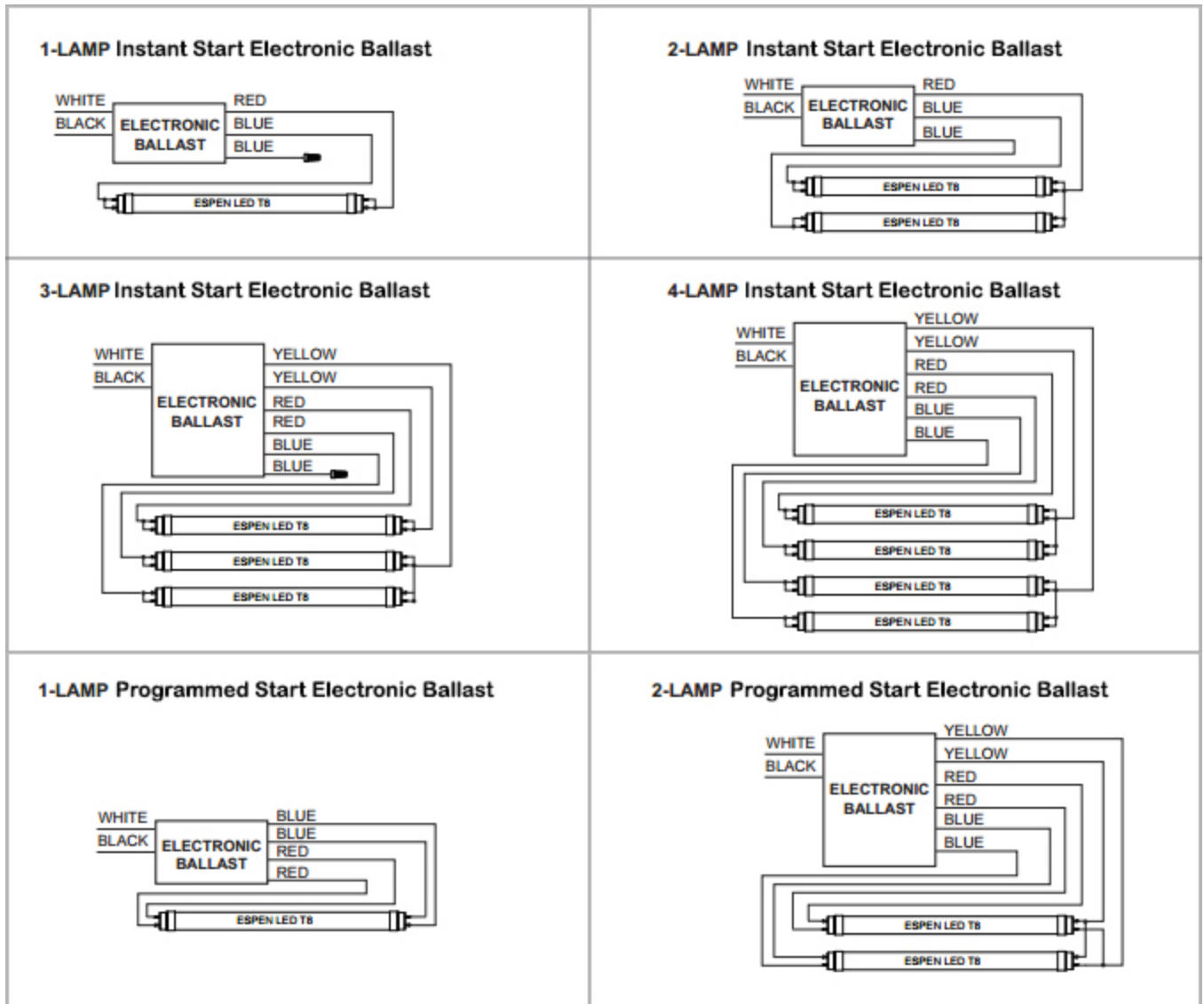
Specification

Order Code	Length	Lamp Wattage	System Wattage	CCT	Initial Lumens	CRI	Beam Angle	Lamp Efficacy	System Efficacy	Life
L48T8/835/10P-EB BAA/TAA	48	10	13	3500K	1650	83	325	165	127	50000
L48T8/840/10P-EB BAA/TAA	48	10	13	4000K	1650	83	325	165	127	50000
L48T8/850/10P-EB BAA/TAA	48	10	13	5000K	1650	83	325	165	127	50000

System Performance

Lamp Model	Low Ballast Factor				High Ballast Factor			
	Lamp Power	System Power	Lumen Output	Lamp Efficacy	Lamp Power	System Power	Lumen Output	Lamp Efficacy
L48T8/835/10P-EB BAA/TAA	8	11	1300	165	16.5	19.5	2500	150
L48T8/840/10P-EB BAA/TAA	8	11	1300	165	16.5	19.5	2500	150
L48T8/850/10P-EB BAA/TAA	8	11	1300	165	16.5	19.5	2500	150

Wiring Diagram



Dlc Information

Order Code	DLC Product ID	DLC Product Model	DLC Version
L48T8/835/10P-EB BAA/TAA	P6KPKDC0	L48T8/835/10P-EB (-aa)	5.1
L48T8/840/10P-EB BAA/TAA	PRFKSRXZ	L48T8/840/12G-EB (-aa)	5.1
L48T8/850/10P-EB BAA/TAA	P553ICR7	L48T8/850/10P-EB (-aa)	5.1

* Please refer to "Ballast Compatibility List" for compatible battery backup and/or emergency ballasts.

* Please refer to "Ballast Compatibility List" on Related Downloads.

Specification data is based on tests performed in a controlled environment and represents relative performance. Actual performance can vary depending on operating conditions. Application and performance data subject to change without notice. All specifications are nominal unless noted otherwise.