

Linear T8

L48T8/8XX/10G-EB

Commercial Grade LED T8 Lamp



Descriptions:

The RetroFlex (Type A) LED lamps provide hassle-free installation with simple lamp-for-lamp replacements for your linear fluorescent T8 or T12 retrofit needs. Fully certified to replace original fluorescent lamps, these lamps provide the perfect, hassle-free solution for whatever the project requires. When being used with an instant start, programmed start, or emergency backup ballast, no fixture re-wiring is needed.



Features & Benefits:

- No rewiring needed
- Works with fluorescent electronic ballast (Instant Start, Programmed Start, and Dimming) *
- Long life
- High CRI
- Instant on, no delay
- Convenient and quick installation
- Utilizes existing instant start or rapid start sockets
- Compatible with controls and sensors
- Dimmable
- Works in cold temperature applications
- Glass tube for superior optical performance
- 5 Year Warranty

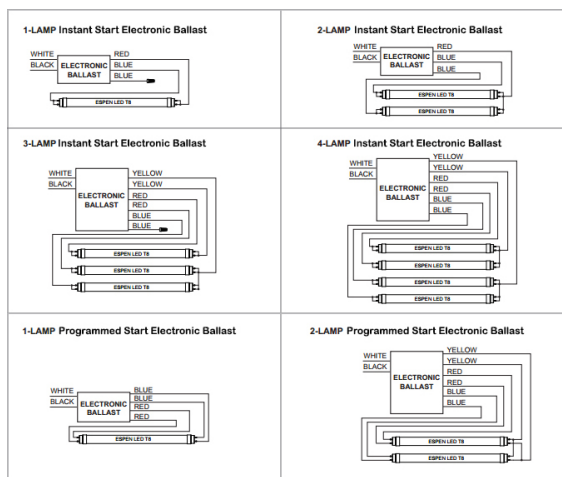
Specifications:

| Ordering Code | Length (in) | Lamp Wattage | System Wattage | CCT (K) | Initial Lumens | CRI | Beam Angle | Lamp Efficacy | System Efficacy | Life (hr) |
|------------------|-------------|--------------|----------------|---------|----------------|-----|------------|---------------|-----------------|-----------|
| L48T8/830/10G-EB | 48 | 10 | 12.5 | 3000K | 1650 | 80+ | 325 | 165 | 132 | 50000 |
| L48T8/835/10G-EB | 48 | 10 | 13 | 3500K | 1950 | 80+ | 325 | 195 | 150 | 50000 |
| L48T8/840/10G-EB | 48 | 10 | 13 | 4000K | 1950 | 80+ | 325 | 195 | 150 | 50000 |
| L48T8/850/10G-EB | 48 | 10 | 13 | 5000K | 1950 | 80+ | 325 | 195 | 150 | 50000 |

System Performance:

| Lamp Model | Low Ballast Factor | | | | High Ballast Factor | | | |
|------------------|--------------------|--------------|--------------|-----------------|---------------------|--------------|--------------|-----------------|
| | Lamp Power | System Power | Lumen Output | Lamp Efficiency | Lamp Power | System Power | Lumen Output | Lamp Efficiency |
| L48T8/830/10G-EB | 8 | 10 | 1300 | 165 | 15 | 17 | 2700 | 160 |
| L48T8/835/10G-EB | 8 | 10 | 1480 | 185 | 15 | 17 | 2900 | 170 |
| L48T8/840/10G-EB | 8 | 10 | 1480 | 185 | 15 | 17 | 2900 | 170 |
| L48T8/850/10G-EB | 8 | 10 | 1480 | 185 | 15 | 17 | 2900 | 170 |

Wiring Diagram:



DLC Listing:

| Ordering Code | DLC Product ID | DLC Product Model | DLC Version |
|------------------|----------------|------------------------|-------------|
| L48T8/830/10G-EB | PLO5G02NLYMO | L48T8/830/10G-EB | 5 |
| L48T8/835/10G-EB | PI030M9E | L48T8/835/10G-EB (-aa) | 5.1 |
| L48T8/840/10G-EB | PQ6K5G06 | L48T8/840/10G-EB (-aa) | 5.1 |
| L48T8/850/10G-EB | P2K3Y8BK | L48T8/850/10G-EB (-aa) | 5.1 |

- Please refer to "Ballast Compatibility List" for compatible battery backup and/or emergency ballasts.
- Please refer to "Ballast Compatibility List" on Related Downloads.

Specification data is based on tests performed in a controlled environment and represents relative performance. Actual performance can vary depending on operating conditions. Application and performance data subject to change without notice. All specifications are nominal unless noted otherwise.