

# VersaDim RF Flex Linear T8

## L36T8/8XX/12P-ID DE RF

### Commercial Grade LED T8 Lamp with Wireless Control



#### Descriptions:

The Flex (Type B) lamps are designed to be the perfect retrofit solution to move from traditional fluorescent lamps to energy saving LEDs. This ballast bypass lamp has everything needed built into the lamp with proven energy savings, long life, surge suppression and industry leading safety features. The double ended lamp has power to each end with existing shunted or unshunted sockets. Wireless control eliminates rewiring of control wires. Nano plastic tube qualifies any NSF 2 applications without breakage.

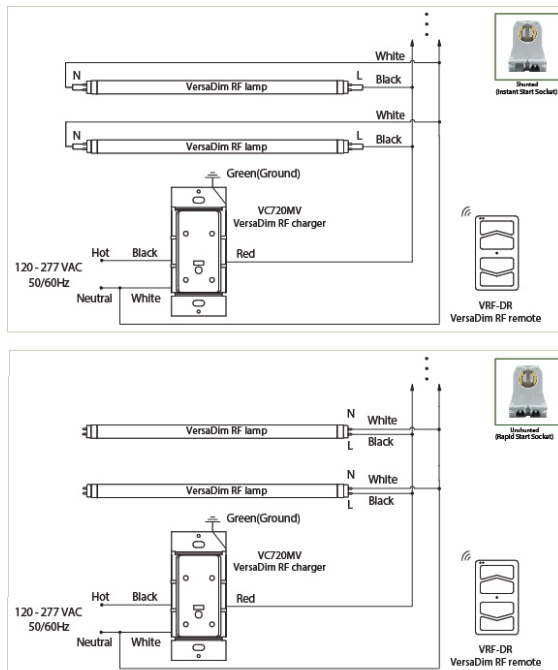
#### Features & Benefits:

- Shatterproof Nano Plastic Tube
- versaDim RF 2.4GHz Remote Control System compatible
- Easy Pairing and controlling with versaDim RF remote
- Max. 25ft control distance from versaDim RF remote or RF lamp
- Internal Driver
- Smooth, Consistent Light
- UL for Safety
- No UV, No Mercury
- Long life
- High CRI
- Instant on, no delay or warm up time
- Convenient and quick installation
- Input from Both Ends
- Utilizes shunted or unshunted G13 sockets
- NSF 2 rated with high performance nano plastic series
- Works in cold temperature applications
- 5 Year Warranty

### Specifications:

Ordering Code	Length (in)	Lamp Base	Lamp Wattage	Input Voltage	CCT (K)	Initial Lumens	CRI	Beam Angle	System Efficacy	Power Factor	THD
L36T8/830/12P-ID DE RF	36	G13	12	120-277	3000K	1400	80	210	117	0.9	<20%
L36T8/835/12P-ID DE RF	36	G13	12	120-277	3500K	1400	80	210	117	0.9	<20%
L36T8/840/12P-ID DE RF	36	G13	12	120-277	4000K	1450	80	210	121	0.9	<20%
L36T8/850/12P-ID DE RF	36	G13	12	120-277	5000K	1450	80	210	121	0.9	<20%

### Wiring Diagram:



### DLC Listing:

Ordering Code	DLC Product ID	DLC Product Model	DLC Version
L36T8/830/12P-ID DE RF	PYQVHITF	L36T8/830/12P-ID DE RF	5.1
L36T8/835/12P-ID DE RF	P2CFNEIK	L36T8/835/12P-ID DE RF	5.1
L36T8/840/12P-ID DE RF	P3DDE2VH	L36T8/840/12P-ID DE RF	5.1
L36T8/850/12P-ID DE RF	PY2G99LX	L36T8/850/12P-ID DE RF	5.1

Specification data is based on tests performed in a controlled environment and represents relative performance. Actual performance can vary depending on operating conditions. Application and performance data subject to change without notice. All specifications are nominal unless noted otherwise.

