

# Nano Plastic Linear T8 L36T8/8XX/12P-EB

## Commercial Grade LED T8 Lamp



### Descriptions:

The RetroFlex (Type A) LED lamps provide hassle-free installation with simple lamp-for-lamp replacements for your linear fluorescent T8 or T12 retrofit needs. NSF 2 rated nano plastic body prevents any breakage. Fully certified to replace original fluorescent lamps, these lamps provide the perfect, hassle-free solution for whatever the project requires. When being used with an instant start, programmed start, or emergency backup ballast, no fixture re-wiring is needed.



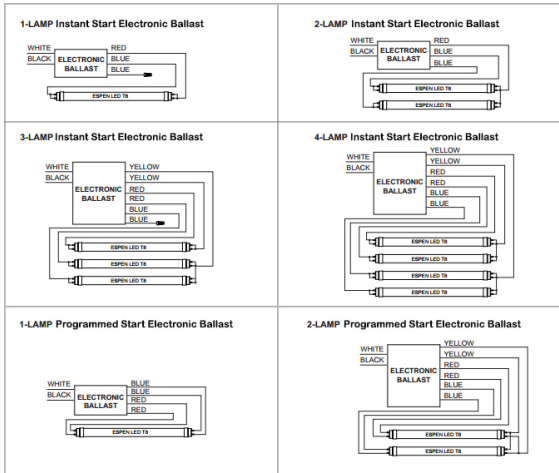
### Features & Benefits:

- Shatterproof Nano Plastic Tube
- NSF2 Rated
- No rewiring needed
- Works with fluorescent electronic ballast (Instant Start, Programmed Start, and Dimming)\*
- Long life
- High CRI
- Instant on, no delay
- Convenient and quick installation
- Utilizes existing instant start or rapid start sockets
- Compatible with controls and sensors
- Dimmable
- Works in cold temperature applications
- Suitable for damp locations
- Nano-Plastic tube for superior optical performance
- 5 Year Warranty

### Specifications:

Ordering Code	Length (in)	Lamp Wattage	System Wattage	CCT (K)	Initial Lumens	CRI	Beam Angle	Lamp Efficacy	System Efficacy	Life (hr)
L36T8/830/12P-EB	36	12	14	3000K	1700	83	325	135	120	50000
L36T8/835/12P-EB	36	12	14	3500K	1700	83	325	135	120	50000
L36T8/840/12P-EB	36	12	14	4000K	1700	83	325	135	120	50000
L36T8/850/12P-EB	36	12	14	5000K	1700	83	325	135	120	50000

### Wiring Diagram:



### DLC Listing:

Ordering Code	DLC Product ID	DLC Product Model	DLC Version
L36T8/830/12P-EB	PZQYEVF	L36T8/830/12P-EB	5
L36T8/835/12P-EB	PKMIEMK9	L36T8/835/12P-EB	5
L36T8/840/12P-EB	P8UVZZQX	L36T8/840/12P-EB	5
L36T8/850/12P-EB	P6E6AP75	L36T8/850/12P-EB	5

- Please refer to "Ballast Compatibility List" for compatible battery backup and/or emergency ballasts.
- Please refer to "Ballast Compatibility List" on Related Downloads.

Specification data is based on tests performed in a controlled environment and represents relative performance. Actual performance can vary depending on operating conditions. Application and performance data subject to change without notice. All specifications are nominal unless noted otherwise.