

ArmorCoat Shatterproof Linear T8

L36T8/8XX/10G-EB-AC

Commercial Grade LED T8 Lamp



Descriptions:

The ArmorCoat RetroFlex (Type A) LED lamps provide hassle-free installation with simple lamp-for-lamp replacements for your linear fluorescent T8 or T12 retrofit needs. ArmorCoat shatterproof coating offers the best solution for NSF 2 required applications. Fully certified to replace original fluorescent lamps, these lamps provide the perfect, hassle-free solution for whatever the project requires. When being used with an instant start, programmed start, or emergency backup ballast, no fixture re-wiring is needed.



Features & Benefits:

- NSF 2 Rated with ArmorCoat Shatterproof Technology
- For use in food areas and refrigerated food displays
- No rewiring needed
- Works with fluorescent electronic ballast (Instant Start, Programmed Start, and Dimming)*
- Long life
- High CRI
- Instant on, no delay
- Convenient and quick installation
- Utilizes existing instant start or rapid start sockets
- Compatible with controls and sensors
- Dimmable
- Works in cold temperature applications
- Glass tube for superior optical performance
- 5 Year Warranty

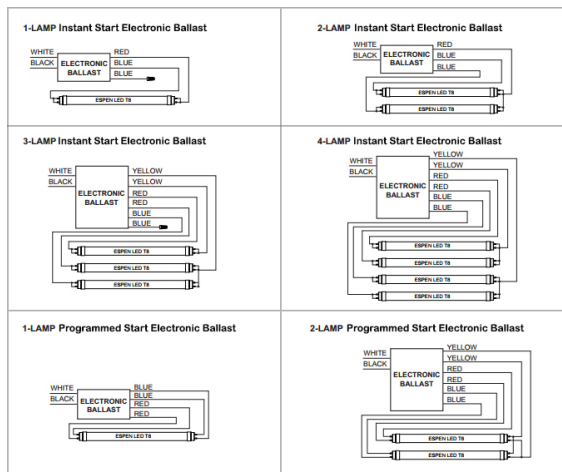
Specifications (with Normal Ballast Factor):

Ordering Code	Length (in)	Lamp Wattage	System Wattage	CCT (K)	Initial Lumens	CRI	Beam Angle	Lamp Efficacy	System Efficacy	Life (hr)
L36T8/830/10G-EB-AC	36	10	13	3000K	1650	83	325	150	125	50000
L36T8/835/10G-EB-AC	36	10	13	3500K	1650	83	325	150	125	50000
L36T8/840/10G-EB-AC	36	10	13	4000K	1650	83	325	150	125	50000
L36T8/850/10G-EB-AC	36	10	13	5000K	1650	83	325	150	125	50000

System Performance:

Lamp Model	Low Ballast Factor				High Ballast Factor			
	Lamp Power	System Power	Lumen Output	Lamp Efficiency	Lamp Power	System Power	Lumen Output	Lamp Efficiency
L36T8/830/10G-EB-AC	8	11	1300	160	15	20	2350	155
L36T8/835/10G-EB-AC	8	11	1300	160	15	20	2350	155
L36T8/840/10G-EB-AC	8	11	1300	160	15	20	2350	155
L36T8/850/10G-EB-AC	8	11	1300	160	15	20	2350	155

Wiring Diagram:



DLC Listing:

Ordering Code	DLC Product ID	DLC Product Model	DLC Version
L36T8/830/10G-EB-AC	N/A	N/A	N/A
L36T8/835/10G-EB-AC	N/A	N/A	N/A
L36T8/840/10G-EB-AC	N/A	N/A	N/A
L36T8/850/10G-EB-AC	N/A	N/A	N/A



- Please refer to "Ballast Compatibility List" for compatible battery backup and/or emergency ballasts.
- Please refer to "Ballast Compatibility List" on Related Downloads.

Specification data is based on tests performed in a controlled environment and represents relative performance. Actual performance can vary depending on operating conditions. Application and performance data subject to change without notice. All specifications are nominal unless noted otherwise.

