

Type A+B Hybrid Linear T8

L24T8/8XX/9G-AB

Commercial Grade LED T8 Lamp



Descriptions:

The ProLED Select T8 Linear Hybrid (Type A+B) lamps offer the most versatile installation solution for your linear fluorescent T8 or T12 retrofit needs. Fully certified as a UL 1598C retrofit kit in single end or double end ballast bypass scenarios (UL Type B) and UL listed for use with electronic T8 fluorescent ballasts (UL Type A), these lamps provide the perfect, hassle-free solution for whatever the project requires. When being used with an instant start, programmed start, or emergency backup ballast, no fixture re-wiring is needed. If the ballast fails in the future, simply re-wire the fixture with 120-277V line voltage using either single end or double end wiring. This CCT selectable hybrid comes in 2-foot, 3-foot, and 4-foot lengths, and offers users the ability to select between 3500K, 4000K, and 5000K kelvin temperatures by simply sliding the selector on the tube to the desired color.

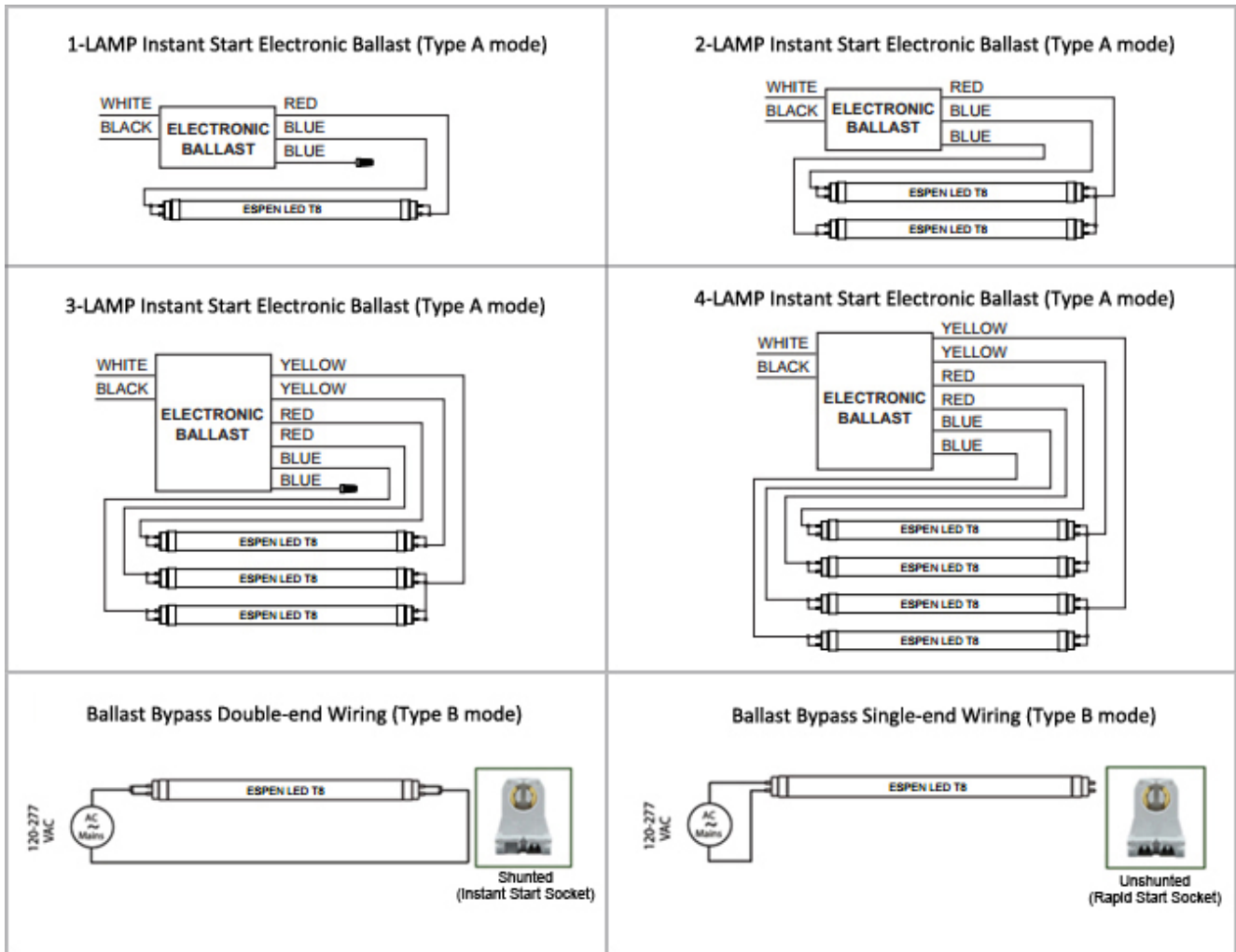
Features & Benefits:

- Type A mode: Works on existing compatible Instant Start, Programmed Start, Dimming electronic ballast
- Type B mode: Internal Driver (Direct 120-277VAC input)
- Utilizes existing instant start or rapid start G13 sockets
- Glass tube for superior optical performance
- Long life
- High CRI
- Instant on, no delay or warm up time
- Convenient and quick installation
- Works in cold temperature applications
- Compatible with controls and sensors
- Glass tube for superior optical performance
- Continuous Dimming to 10%
- 5 Year Warranty

Specifications:

Ordering Code	Length (in)	Wattage Direct AC	Wattage With Ballast	Input Voltage	CCT (K)	Initial Lumens	CRI	Beam Angle	System Efficacy Direct AC	System Efficacy with Ballast
L24T8/830/9G-AB	24	9	12	120-277V	3000K	1350	83	325	150	112
L24T8/835/9G-AB	24	9	12	120-277V	3500K	1350	83	325	150	112
L24T8/840/9G-AB	24	9	12	120-277V	4000K	1350	83	325	150	112
L24T8/850/9G-AB	24	9	12	120-277V	5000K	1350	83	325	150	112

Wiring Diagram:



DLC Listing:

Ordering Code	DLC Product ID	DLC Product Model	DLC Version
L24T8/830/9G-AB	N/A	N/A	N/A
L24T8/835/9G-AB	N/A	N/A	N/A
L24T8/840/9G-AB	N/A	N/A	N/A
L24T8/850/9G-AB	PL4H4Y1HDRQJ	L24T8/850/9G-AB	5

Specification data is based on tests performed in a controlled environment and represents relative performance. Actual performance can vary depending on operating conditions. Application and performance data subject to change without notice. All specifications are nominal unless noted otherwise.

