

CONSTANT WATTAGE LED EMERGENCY BACK-UP KIT

Model: **VEM-K1500**



TECHNICAL SPECIFICATIONS

INPUT VOLTAGE

120-277 VAC, 50/60 Hz

LOADS OPERATED

VLM1207L/850
(10W, 34VDC, 5000K, CRI 80, 1500lm)

OUTPUT VOLTAGE

12-50 VDC

EMERGENCY BACKUP KIT RATED POWER

90 mins in 10W

OPERATING TEMPERATURE

0°C/30°F - 60°C/140°F

BATTERY

24 hr recharge, LiFePO4

APPROVAL

UL and cUL 924 Listed

Specification data is based on tests performed in a controlled environment and represents relative performance. Actual performance can vary depending on operating conditions. Application and performance data subject to change without notice. All specifications are nominal unless noted otherwise.

DESCRIPTION:

Our VEM-K Series can be used on a large array of Lighting Fixtures for both T5 and T8 installations.

The VEM-K1500, LED emergency back-up kit includes constant wattage emergency driver, battery, high efficacy LED module and LED charging indicator light. The emergency back-up kit provides emergency lighting solution in different lighting fixture/luminaire with input power source of 120-277VAC.

VEM-K1500 switches to emergency mode when power fails, the kit gives constant 1500lm with 5000K LED module for a minimum of 90 minutes.

ELECTRICAL:

- Multi voltage (120-277 VAC 50/60 Hz)
- Maintenance-free, long-life, high temperature LiFePO4 battery
- Safety extra low output voltage: 12-50 VDC
- Rated 10W for 90 minutes

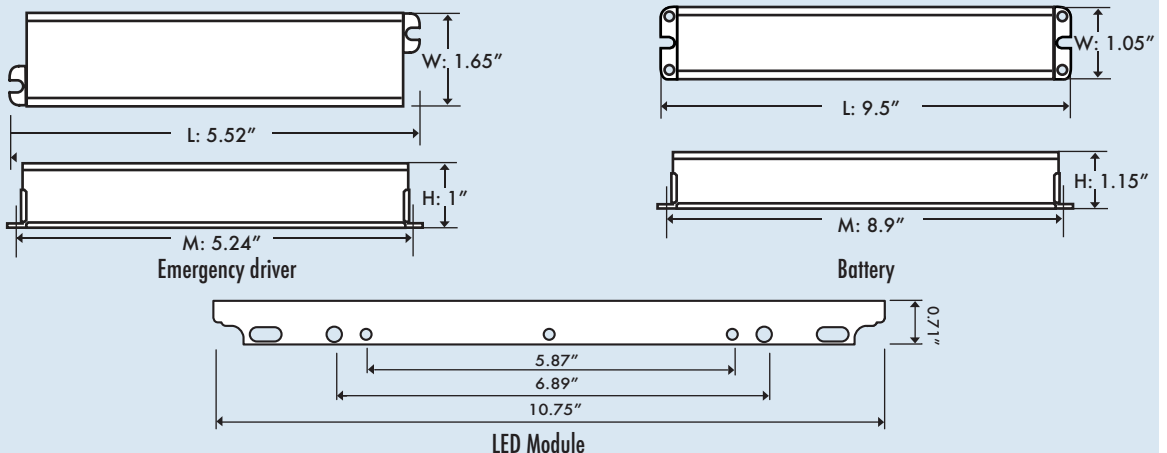
INSTALLATION:

- For use with unswitched fixtures
- Does not affect existing lighting fixture/luminaire
- Suitable for damp and dry location
- Ambient temperature: 0°C/30°F - 60°C/140°F

WARRANTY:

- 5 Years
- UL, cUL, UL924 listed FCC Part 15 Class A, Compliance to EN 61547/1995+A1/2000

CASE DIMENSIONS:



CONSTANT WATTAGE LED EMERGENCY BACK-UP KIT

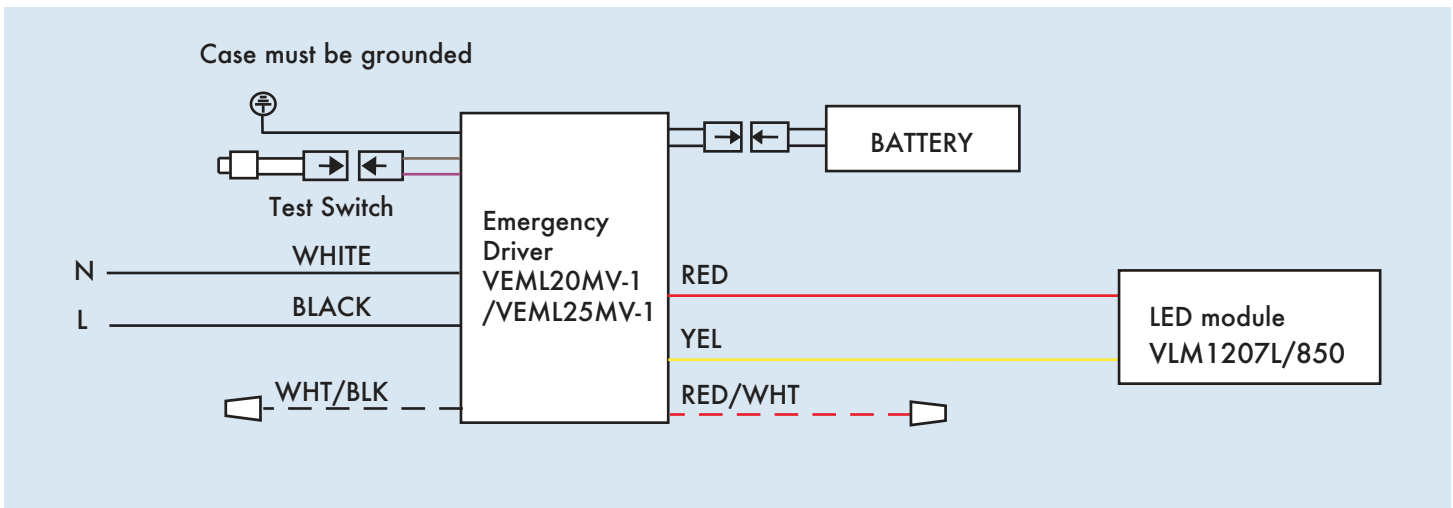
Model: **VEM-K1500**



CURRENT ADJUSTMENT (DIP SWITCH):

Dip Switch Setting	Emergency Mode Output Power	Emergency Mode Output Voltage	Emergency Mode Output Current	Battery Charging Current
	10W	12-50V	830-200mA	100mA

WIRING DIAGRAM:



Specification data is based on tests performed in a controlled environment and represents relative performance. Actual performance can vary depending on operating conditions. Application and performance data subject to change without notice. All specifications are nominal unless noted otherwise.