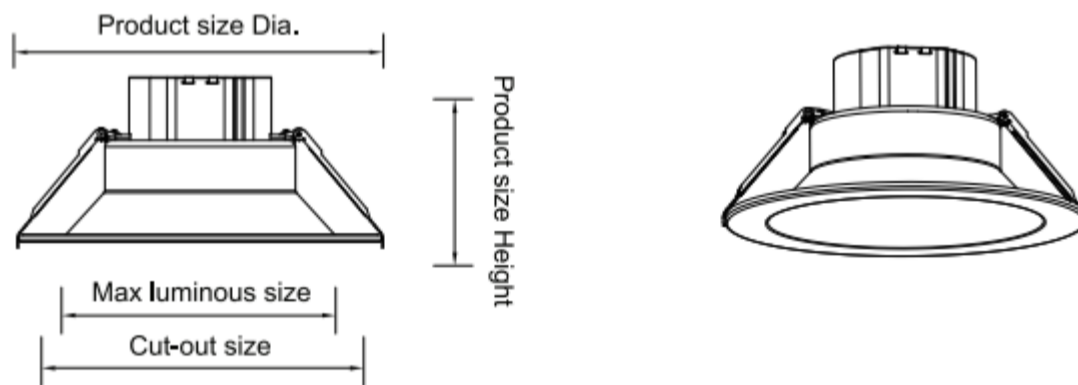


WARNING

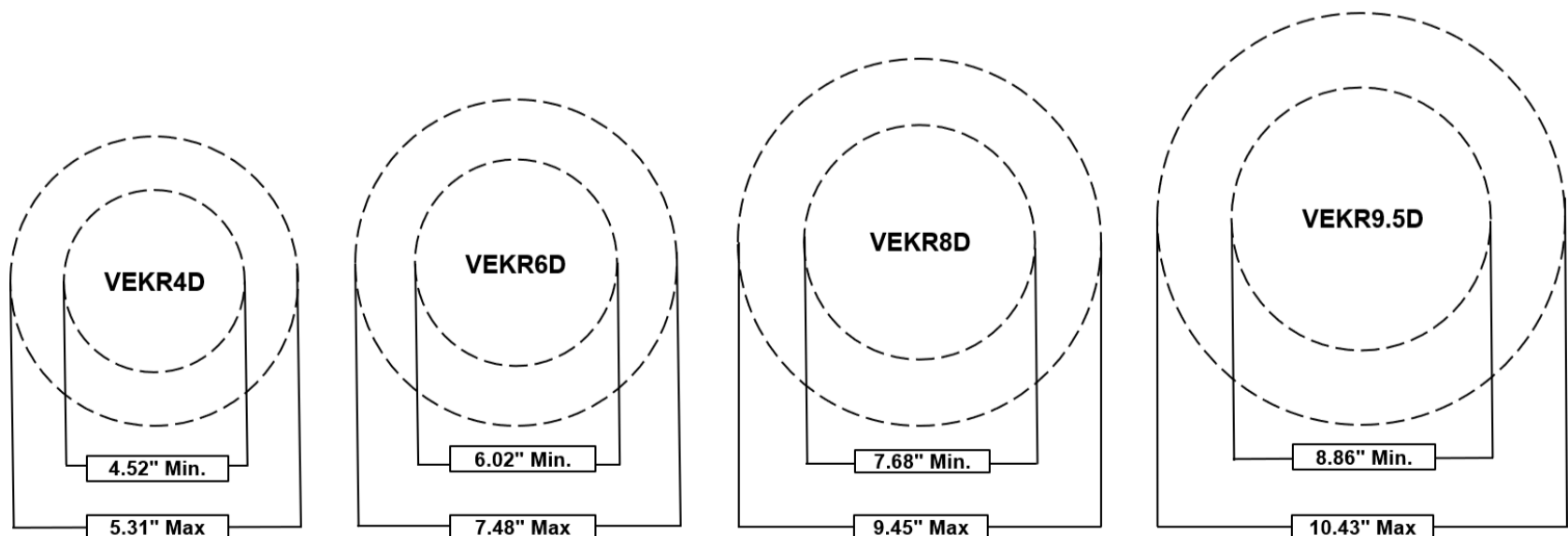
- Read all labels on product and instructions before installing fixtures.
- WARNING - Risk of fire or electric shock. LED Retrofit Kit installation requires knowledge of luminaires electrical systems. If not qualified, do not attempt installation. Contact a qualified electrician.
- WARNING - Risk of fire or electric shock. Install this kit only in luminaires that have the construction features and dimensions shown in the photographs and/or drawings and where the input rating of the retrofit kit does not exceed the input rating of the luminaire.
- WARNING - To prevent wiring damage or abrasion, do not expose wiring to edges of sheet metal or other sharp objects.
- Do not make or alter any open holes in an enclosure of wiring or electrical components during kit installation.
- The recessed luminaire is intended for mounting only in a covered ceiling where only the led side of the luminaire will be exposed to damp or dry locations.
- INSTALLATION SHOULD ONLY BE PERFORMED AFTER POWER TO THE FIXTURE HAS BEEN DISCONNECTED.
- THIS RETROFIT KIT IS ACCEPTED AS A COMPONENT OF A LUMINAIRE WHERE THE SUITABILITY OF THE COMBINATION SHALL BE DETERMINED BY AUTHORITIES HAVING JURISDICTION.

Dimension and housing compatibility

Model	Product dimensions	Max luminous size	Cut-out size
VEKR4D/9T/14W-10V	Dia. 5.71" (145mm) x H 3.70" (94mm)	4.33" (110mm)	4.52" (115mm) - 5.31" (135mm)
VEKR6D/9T/21W-10V	Dia. 8.27" (210mm) x H 4.25" (108mm)	5.71" (145mm)	6.02" (153mm) - 7.48" (190mm)
VEKR8D/9T/27W-10V	Dia. 10.24" (260mm) x H 4.57" (116mm)	7.28" (185mm)	7.68" (195mm) - 9.45" (240mm)
VEKR9.5D/9T/40W-10V	Dia. 11.22" (285mm) x H 5.04" (128mm)	8.54" (217mm)	8.86" (225mm) - 10.43" (265mm)



Cut-out dimensions



Installation

Figure 1



Figure 2



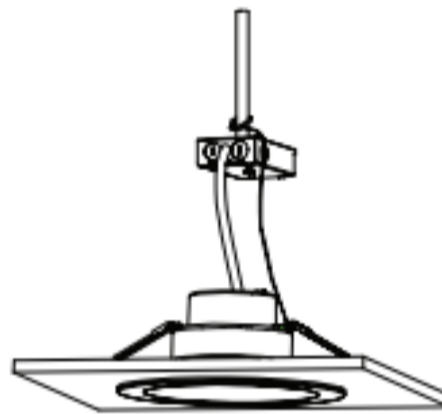
Figure 3



Figure 4



Figure 5



1. Make sure the power to the recessed housing in which you are installing the product is **TURNED OFF** at the source.
2. Attach the carabiner safety clip to the existing fixture housing (Figure 1).
3. Insert and secure the included flexible conduit into the junction box and wire to the power source (Black to hot, White to neutral, Green to ground, Violet to 0-10V dimming positive, Gray to 0-10V negative), secure the junction box cover plate when done (Figure 2).
4. Set the lamp power to the desired lumen output and color temperature by sliding the selector switches (Figure 3).
5. Lift and hold the two housing clips so they are in the upright position and insert the lamp into the ceiling (Figure 4).
6. Once the lamp is inside the ceiling, release the housing clips and continue pushing the lamp into the ceiling until it is securely fixed and flush (Figure 5).